



17562.0233.0 REV2

Spare parts list PARVA Condensing

Edition 02/2010



Spare parts list PARVA Condensing

1 REPLACEMENT PARTS CATALOGUE

This catalogue includes all the replacement parts required for the maintenance and service of Biasi boilers. This edition of the catalogue supersedes all previous editions.

2 MODELS AND SPECIFICATIONS

Biasi boilers differ in one basic characteristics:

2.1 Maximum useful heating power during operation as a building heat source

The models are available with a maximum useful heating power when used as a building heat source. Each of these models is identified by its own model number:

Model 24 (24kW), 32 (32kW)

3 MODEL IDENTIFICATION CODE/SERIAL NUMBER

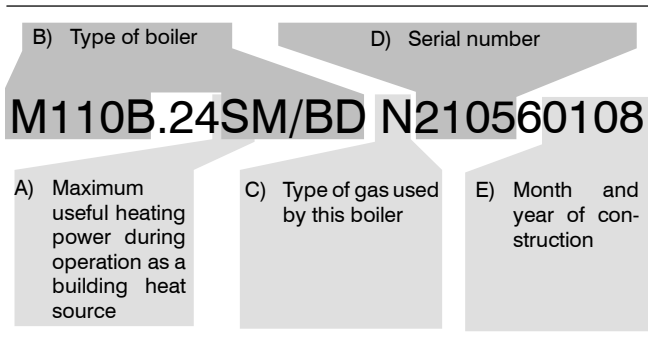
Every boiler produced by Biasi carries its own model identification code/serial number.

It is important for the service centre to mention this number when contacting the factory (the number must be listed on guarantee claims and service reports; when making requests for technical information, etc.).

The following is a breakdown of the model identification code/serial number and its meaning (reading from left to right):

- A) The maximum useful heating power during operation as a building heat source.
- B) The type of boiler according to its functions
- C) The type of gas used by this boiler. The letter "N" is used for Natural gas; the letter "G" is used for liquefied petroleum gas (LPG).
- D) The first five numbers are the actual serial number.
- E) The last four numbers indicate the month (first two numbers) and the year of construction.

These numbers are used in this catalogue to distinguish between versions of the same model with different modifications.



4 REPLACEMENT PARTS CODE

Each currently available replacement part is uniquely identified by its own replacement parts code. The replacement parts code consists of a table code and a position code.

4.1 Table code

The table code is a sequence of letters and numbers which uniquely and clearly identify each table. The table code can be found on the upper right of each table (see 4.3).

A validity chart for the table is located at the bottom of the table. This chart lists the models covered by the table.

	M110B.24SM/BD	
	M110B.32SM/BD	

4.2 Position Code

The position code is a number which is used to identify a particular object on the table.

To make identification easier, position codes for kits have a different format from position codes for individual parts.

515	Position code for a kit (or assembly)	125	Position code for an individual part
-----	---------------------------------------	-----	--------------------------------------

A label can be found next to the position code. This label is used to provide additional information on the replacement part and makes identification of the part easier:

A – Type of gas

515 _{G20}	125 _{G20}	G20 = Natural gas
--------------------	--------------------	-------------------

515 _{G30-G31}	125 _{G30-G31}	G30 – G31 = Butane – Propane (LPG)
------------------------	------------------------	------------------------------------

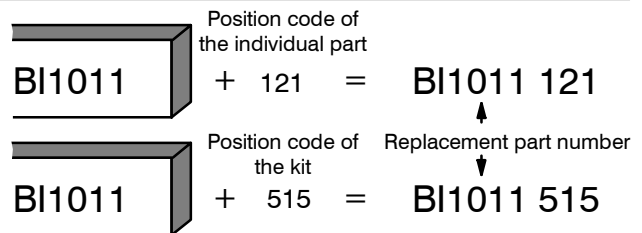
B – Validity restrictions

515 _(S)	125 _(S)	For models (M110B.24SM/BC M110B.32SM/BD), only
--------------------	--------------------	--

4.3 Composition of the replacement part code

Each replacement part code includes a table identification code and a position code. A position code is only listed for replacement parts which are currently available.

The replacement part code consists of the table code (which can be found on the upper right of the table) plus the position code (in two formats: individual part or kit).



The components of a kit are enclosed in a broken line. A kit may contain other complete kits, or portions of other kits.

In some tables, a replacement part may be identified with an arrow and a complete replacement part code (table code + position code). This means that the part is available, but must be ordered with the code listed. Also, any explanatory notes must be read before ordering.

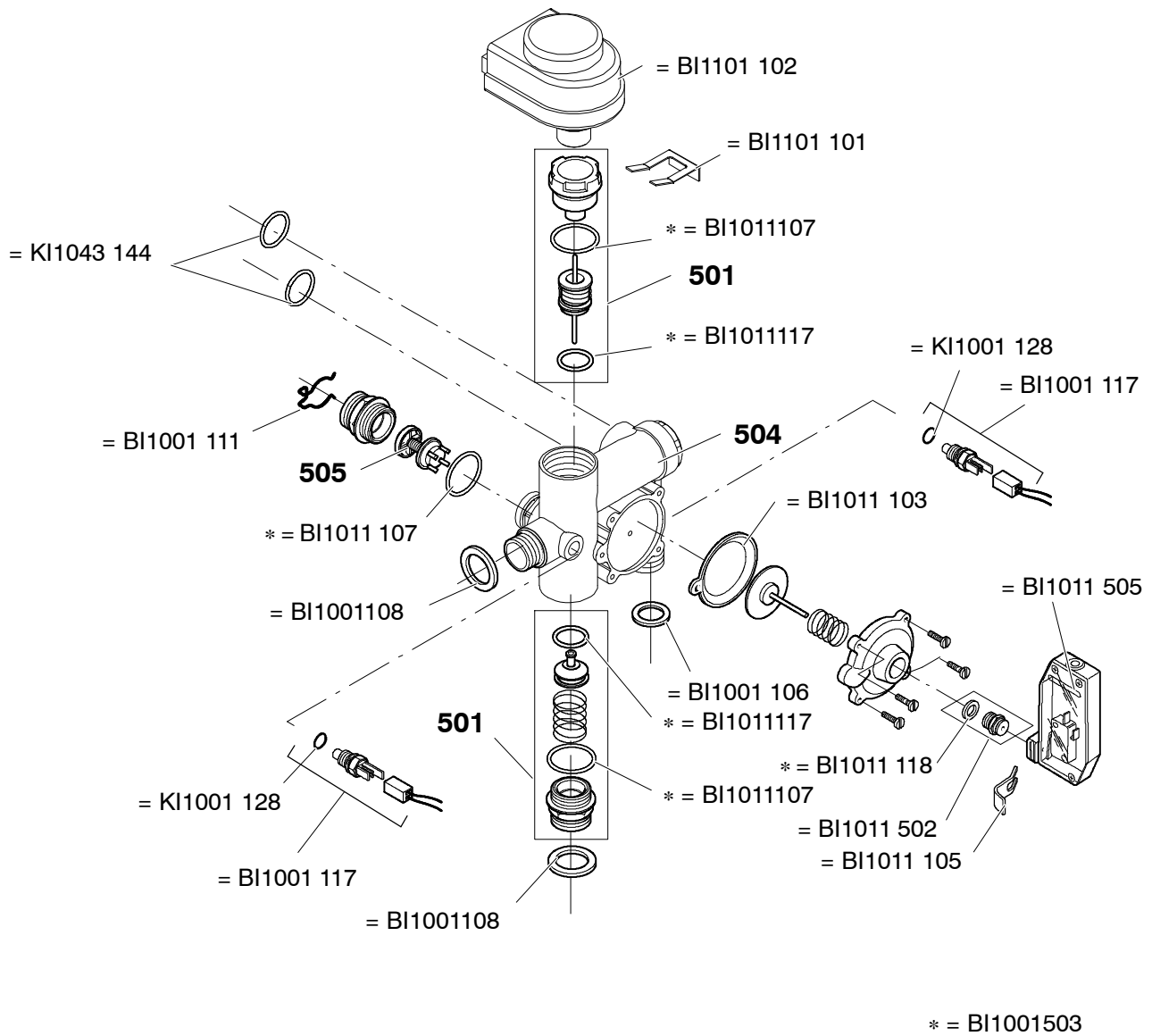
=BI1011 515
=BI1011 515 (24)
=BI1011 516 (32)

4.4 Using the replacement parts code

The replacement parts code must be included on all documents which are used in service reports, orders for replacement parts, guarantee claims, etc.

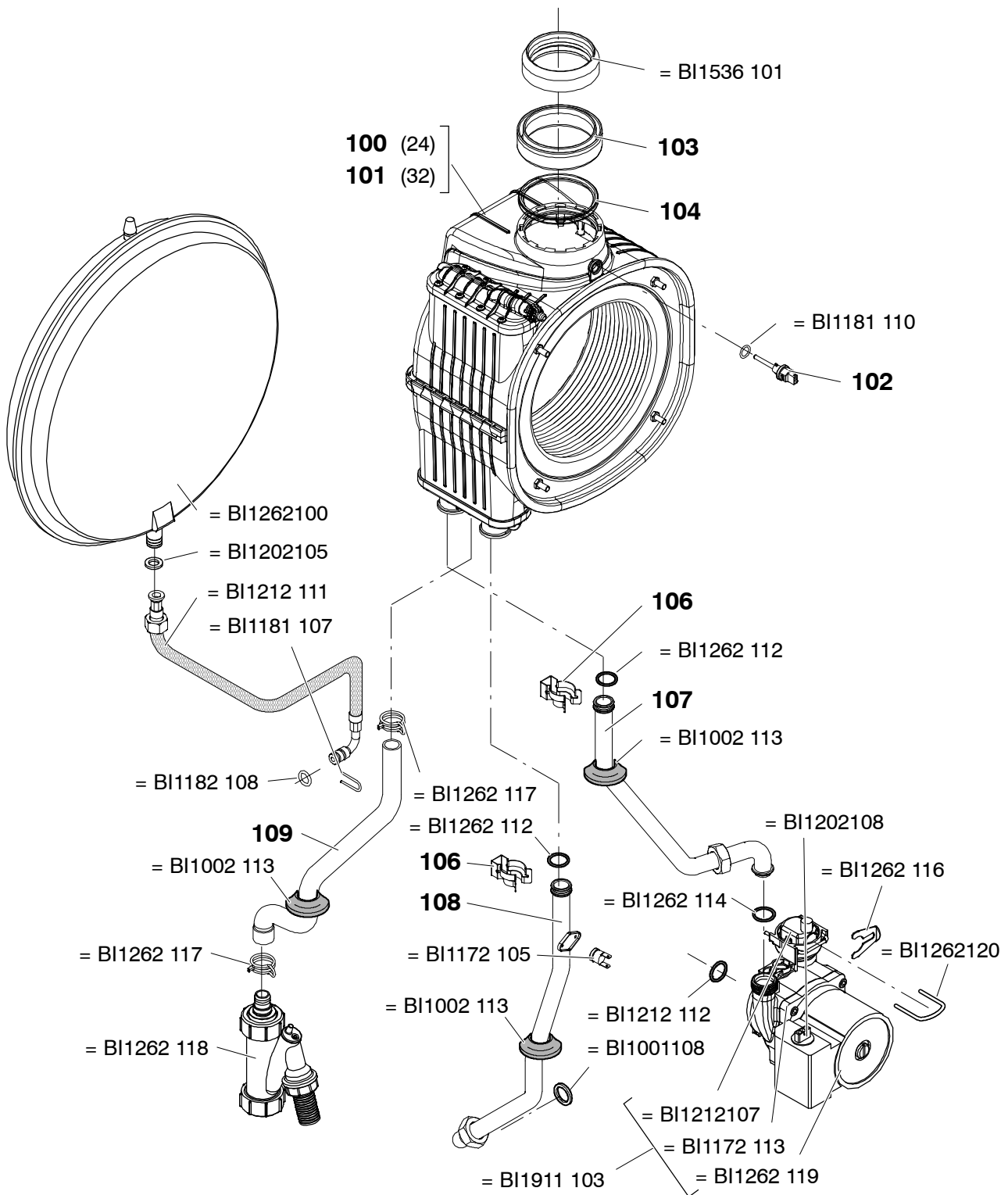
Spare parts list

Table		Edition	N° of pages
BI1141 Part 1	Water group	0108	1
BI1181 Part 1	Water group	1008	1
BI1432 Part 2	Water group	1008	1
BI1293 Part 3	Gas group	0108	1
BI1134 Part 4	Template and connection group	0108	1
BI1955 Part 5	Driving panel and electric parts	0210	1
BI1965 Part 5	Driving panel and electric parts	0108	1
BI1526 Part 6	External panels, fire chamber	0108	1
BI1913 Part 1	Spares	0108	1



	M110B.24SM/BD			
	M110B.32SM/BD			

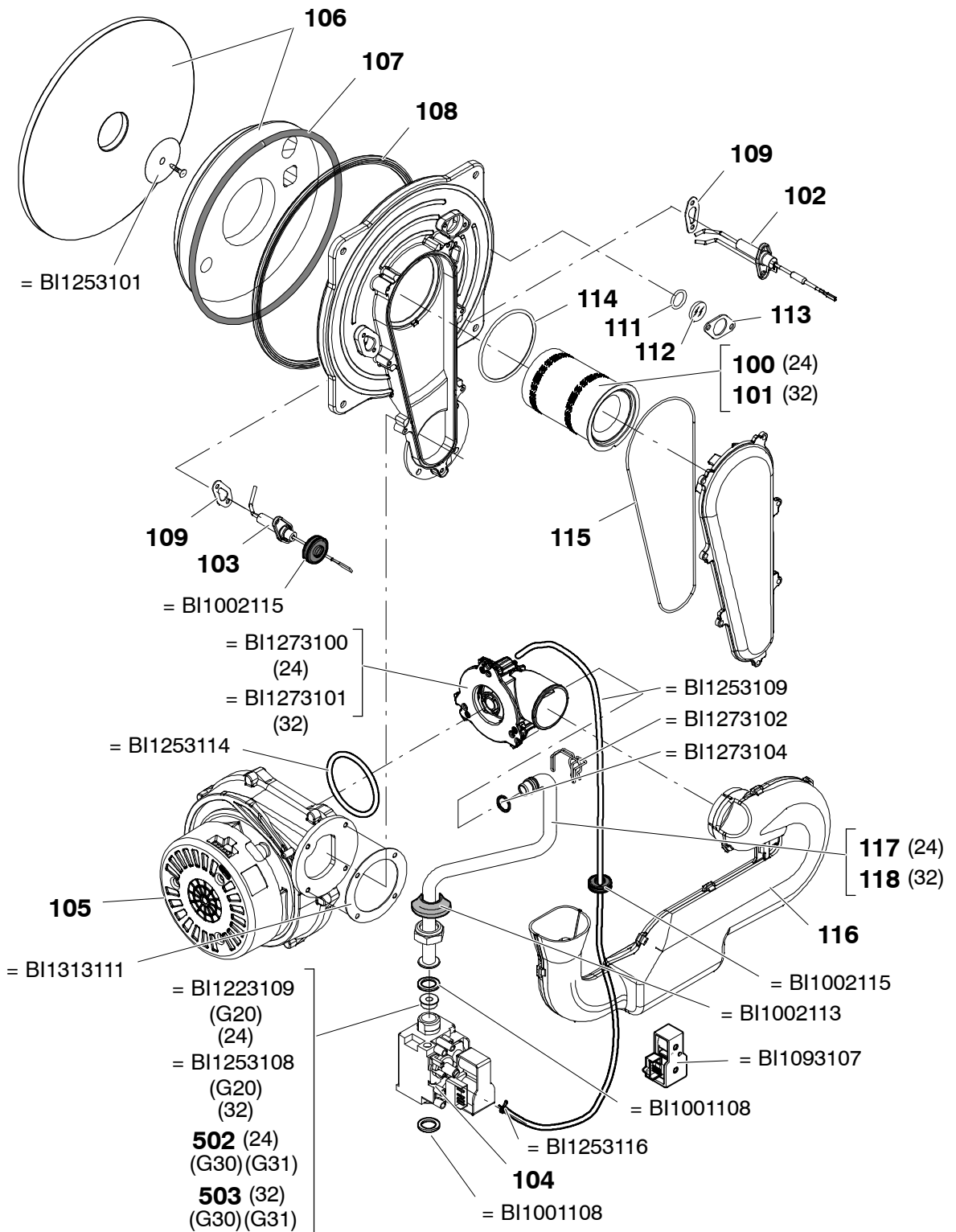




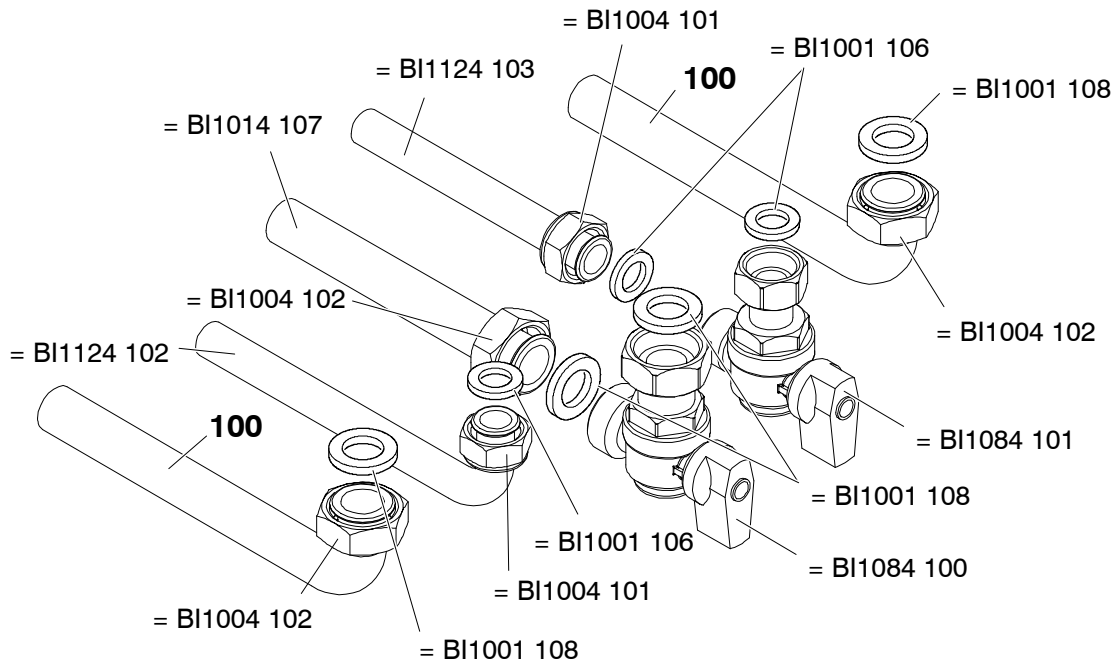
M110B.24SM/BD

M110B.32SM/BD





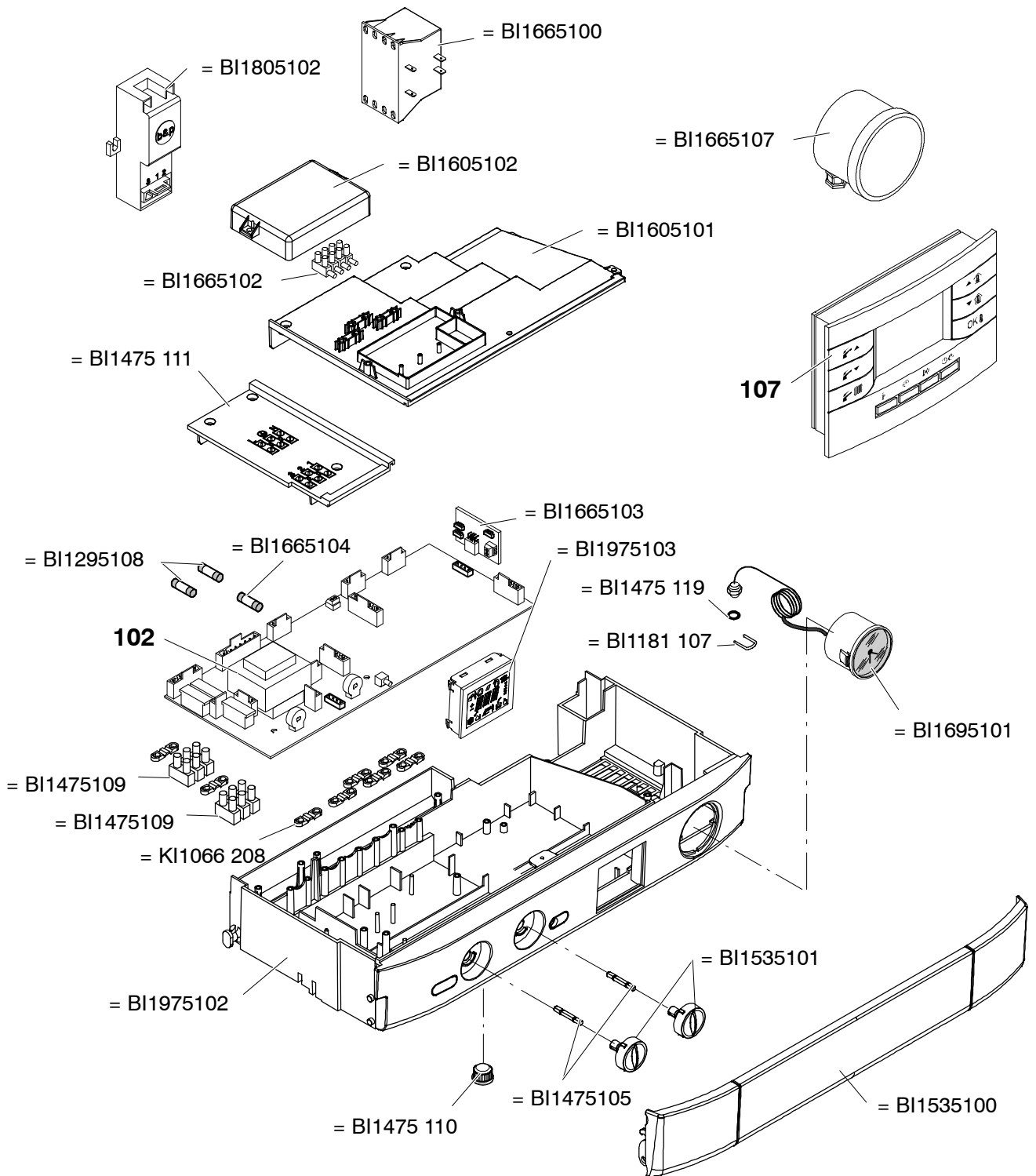
	M110B.24SM/BD			
	M110B.32SM/BD			



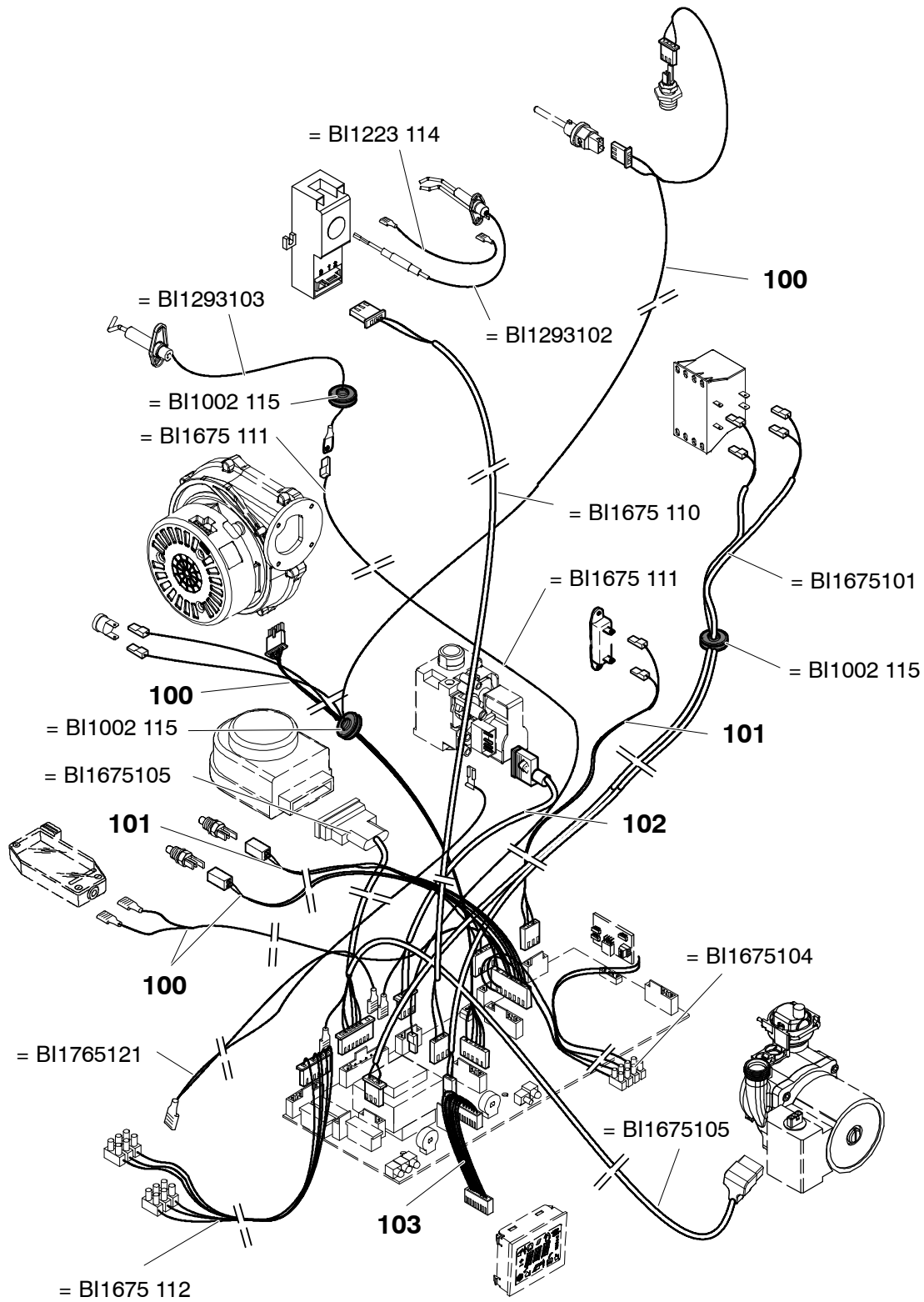
0108

	M110B.24SM/BD			
	M110B.32SM/BD			





	M110B.24SM/BD			
	M110B.32SM/BD			

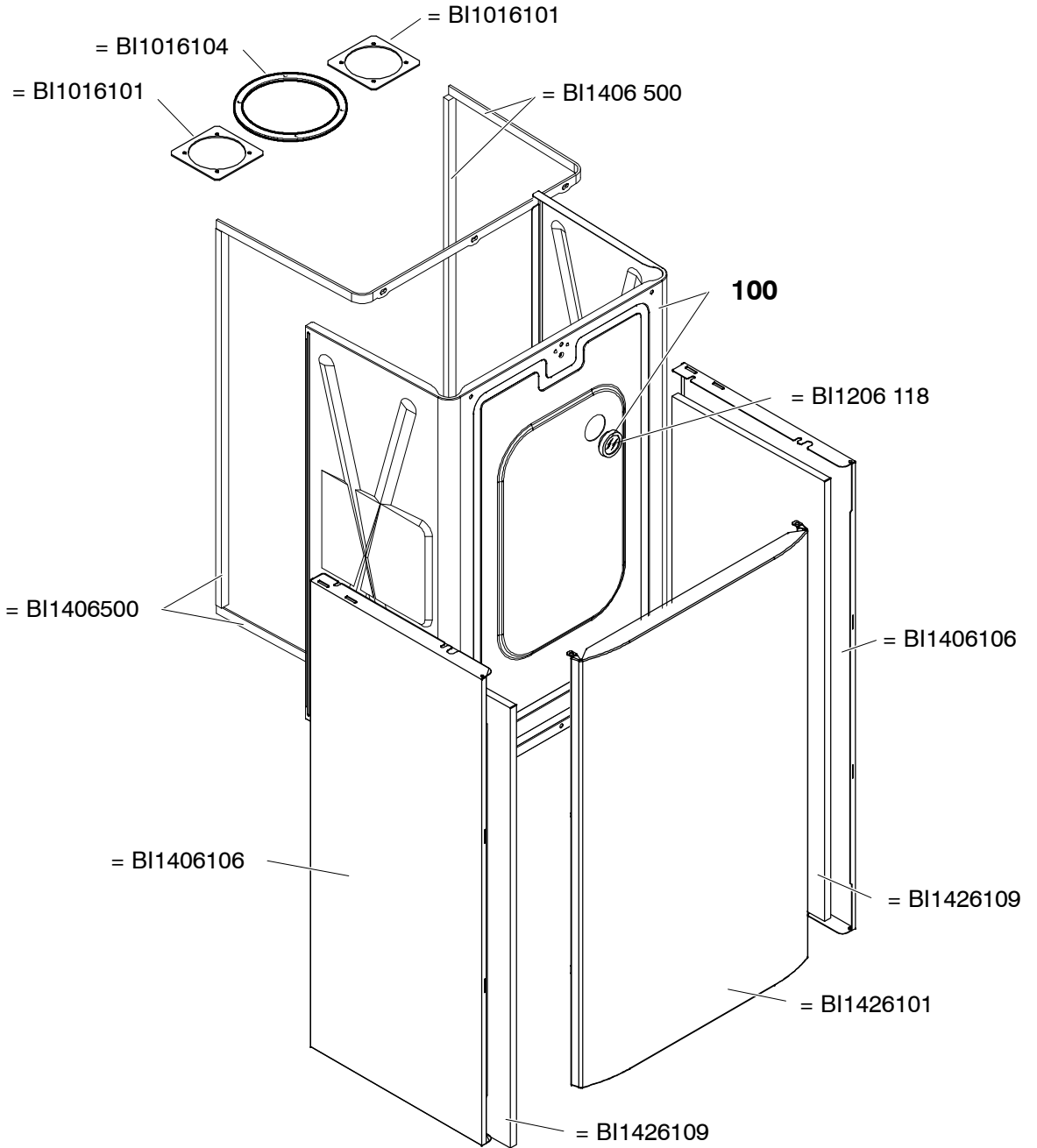


0108

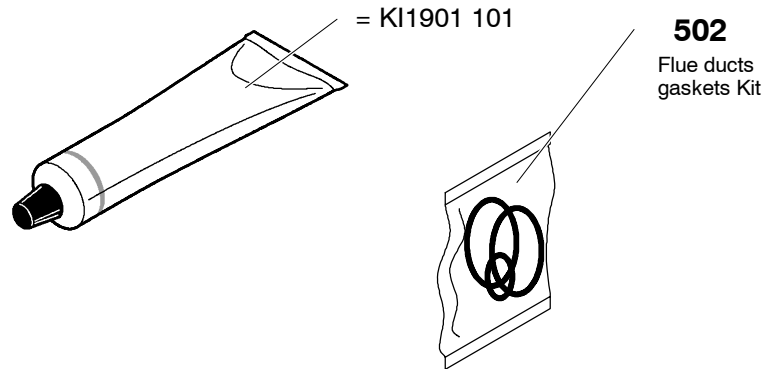
M110B.24SM/BD

M110B.32SM/BD





	M110B.24SM/BD			
	M110B.32SM/BD			



BI1911 800 O-ring packing set			
<i>Part</i>	<i>Pos.</i>	<i>N.</i>	<i>T. Size</i>
BI1001	115	10	12,42 x 1,78
KI1043	144	10	18,64 x 3,53
BI1001	503	10	
KI1043	114	10	17,04x3,53
KI1001	105	10	17,13x2,62
BI1475	119	10	7x2
BI1212	112	10	17,04x4,00

BI1901 802 Flat packing set			
<i>Part</i>	<i>Pos.</i>	<i>N.</i>	<i>T. Size</i>
BI1001	107	10	P 1/4"
BI1001	109	10	P 3/8"
BI1202	105	10	P 3/8"
BI1001	106	10	P 1/2"
BI1001	108	10	P 3/4"
BI1001	105	10	P 1"

	M110B.24SM/BD			
	M110B.32SM/BD			