



17562.0480.0 REV5



Spare parts list
series *RinNova Cond Plus*

Edition 04/2021



Spare parts list

1 REPLACEMENT PARTS CATALOGUE

This catalogue includes all the replacement parts required for the maintenance and service of boilers. This edition of the catalogue supersedes all previous editions.

2 MODELS AND SPECIFICATIONS

Boilers differ in basic characteristics:

2.1 Maximum useful heating power during operation as a building heat source

The models are available with different maximum useful heating power when used as a building heat source. Each of these models is identified by its own model number:

Models 20 (20kW), 30 (30kW)

2.2 Maximum useful domestic hot water power

The models are available with different maximum useful domestic hot water power when used as the heating of domestic hot water. Each of these models is identified by its own model number:

Models 25 (25kW), 35 (35kW)

2.3 Mixed-type operation/operation as a building heat source only

Mixed-type boilers are used to heat water for use in a building heating system, and can also heat hot water for domestic use. This type of boiler alternates between the two operating modes, with the "domestic hot water" function taking precedence over the "building heat source" function. These boilers are identified by the letter "M" in their model number or "V" for models combined with to external storage tanks.

2.4 Fume exhaust method

These boilers are equipped with a fan which forces the fumes through an adequately-sized exhaust duct system; however, the combustion chamber is enclosed in a sealed chamber and is isolated from the installation area. Boilers using this system are identified by the letter "S" in their model number, and do not use air from the installation area for combustion.

3 MODEL IDENTIFICATION CODE/SERIAL NUMBER

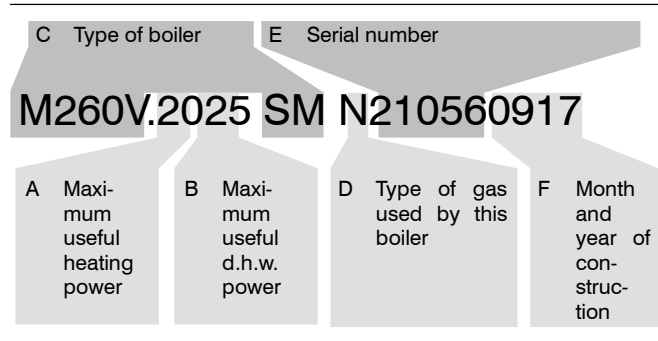
Every boiler produced by carries its own model identification code/serial number.

It is important for the service centre to mention this number when contacting the factory (the number must be listed on guarantee claims and service reports; when making requests for technical information, etc.).

The following is a breakdown of the model identification code/serial number and its meaning (reading from left to right):

- A) The maximum useful heating power during operation as a building heat source.
- B) The maximum useful domestic hot water power during operation as the heating of domestic hot water.
- C) The type of boiler according to its functions
- D) The type of gas used by this boiler. The letter "N" is used for Natural gas; the letter "G" is used for liquefied petroleum gas (LPG).
- E) The first five numbers are the actual serial number.
- F) The last four numbers indicate the month (first two numbers) and the year of construction.

These numbers are used in this catalogue to distinguish between versions of the same model with different modifications.



4 REPLACEMENT PARTS CODE

Each currently available replacement part is uniquely identified by its own replacement parts code. The replacement parts code consists of a table code and a position code.

4.1 Table code

The table code is a sequence of letters and numbers which uniquely and clearly identify each table. The table code can be found on the upper right of each table (see 4.3).

A validity chart for the table is located at the bottom of the table. This chart lists the models covered by the table.

M260V.2025 SM	M260V.2025 SV	
M260V.3035 SM	M260V.3035 SV	

4.2 Position Code

The position code is a number which is used to identify a particular object on the table.

To make identification easier, position codes for kits have a different format from position codes for individual parts.

515	Position code for a kit (or assembly)	Position code for an individual part	125
-----	---------------------------------------	--------------------------------------	-----

A label can be found next to the position code. This label is used to provide additional information on the replacement part and makes identification of the part easier:

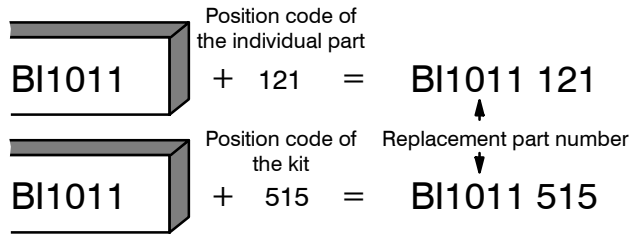
A – Type of gas		
515 _{G20}	125 _{G20}	G20 = Natural gas
515 _{G31}	125 _{G31}	G31 = Propane (LPG)

B – Validity restrictions		
515 _(V)	125 _(V)	For models M260V.2025 SV and M260V.3035 SV, only
515 _(M)	125 _(M)	For models M260V.2025 SM and M260V.3035 SM, only

4.3 Composition of the replacement part code

Each replacement part code includes a table identification code and a position code. A position code is only listed for replacement parts which are currently available.

The replacement part code consists of the table code (which can be found on the upper right of the table) plus the position code (in two formats: individual part or kit).



The components of a kit are enclosed in a broken line. A kit may contain other complete kits, or portions of other kits.

In some tables, a replacement part may be identified with an arrow and a complete replacement part code (table code + position code). This means that the part is available, but must be ordered with the code listed. Also, any explanatory notes must be read before ordering.

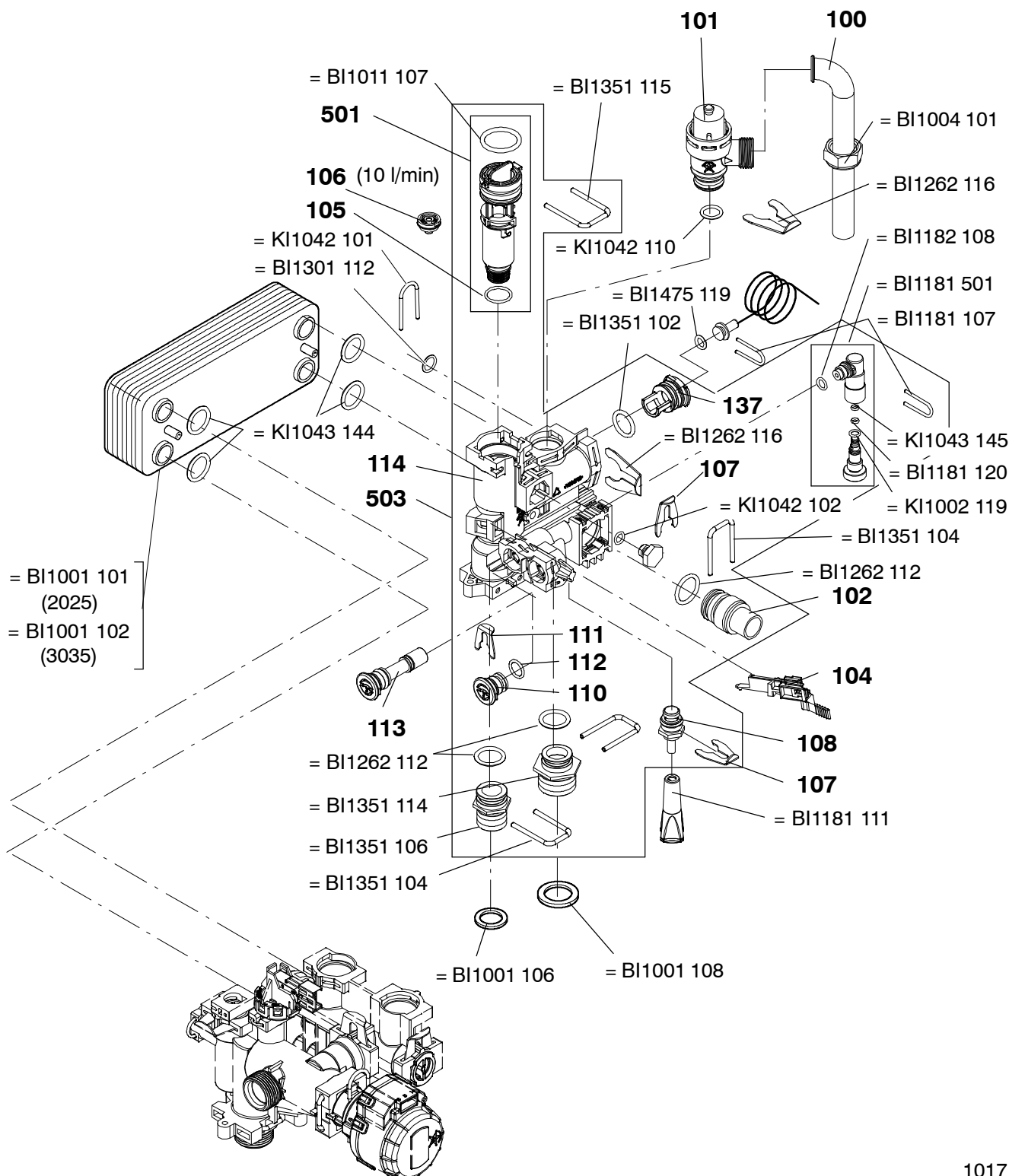
=BI1011 515
=BI1011 515
(2025)
=BI1011 516
(3035)

4.4 Using the replacement parts code

The replacement parts code must be included on all documents which are used in service reports, orders for replacement parts, guarantee claims, etc.

Spare parts list

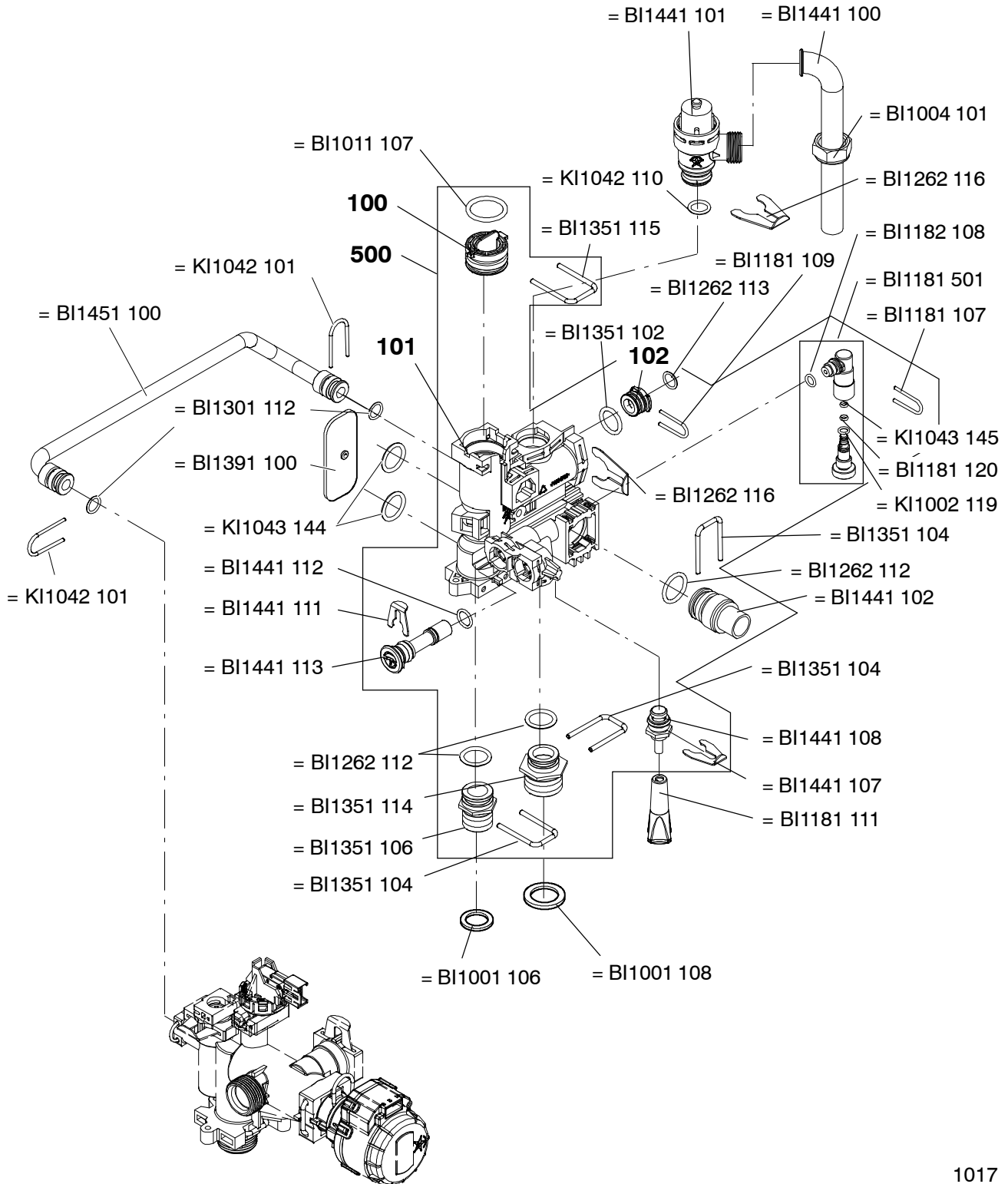
Table		Edition	N° of pages
BI1441 Part 1	Water group	1017	1
BI1461 Part 1	Water group	1017	1
BI1491 Part 1	Water group	1017	1
BI1501 Part 1	Water group	1017	1
BI1782 Part 2	Water group	1020	1
BI2002 Part 2	Water group	1020	1
BI2012 Part 2	Water group	1020	1
BI1563 Part 3	Gas group	0220	1
BI1663 Part 3	Gas group	0220	1
BI2445 Part 5	Driving panel and electric parts	1017	1
BI2515 Part 5	Driving panel and electric parts	1020	1
BI2525 Part 5	Driving panel and electric parts	1020	1
BI2755 Part 5	Driving panel and electric parts	1020	1
BI2765 Part 5	Driving panel and electric parts	1020	1
BI2785 Part 5	Driving panel and electric parts	0421	1
BI2795 Part 5	Driving panel and electric parts	0421	1
BI2805 Part 5	Driving panel and electric parts	1020	1
BI2815 Part 5	Driving panel and electric parts	1020	1
BI1556 Part 6	External panels, fire chamber	1017	1
BI1913 Part 1	Spares	1017	1



M260V.2025SM

M260V.3035SM

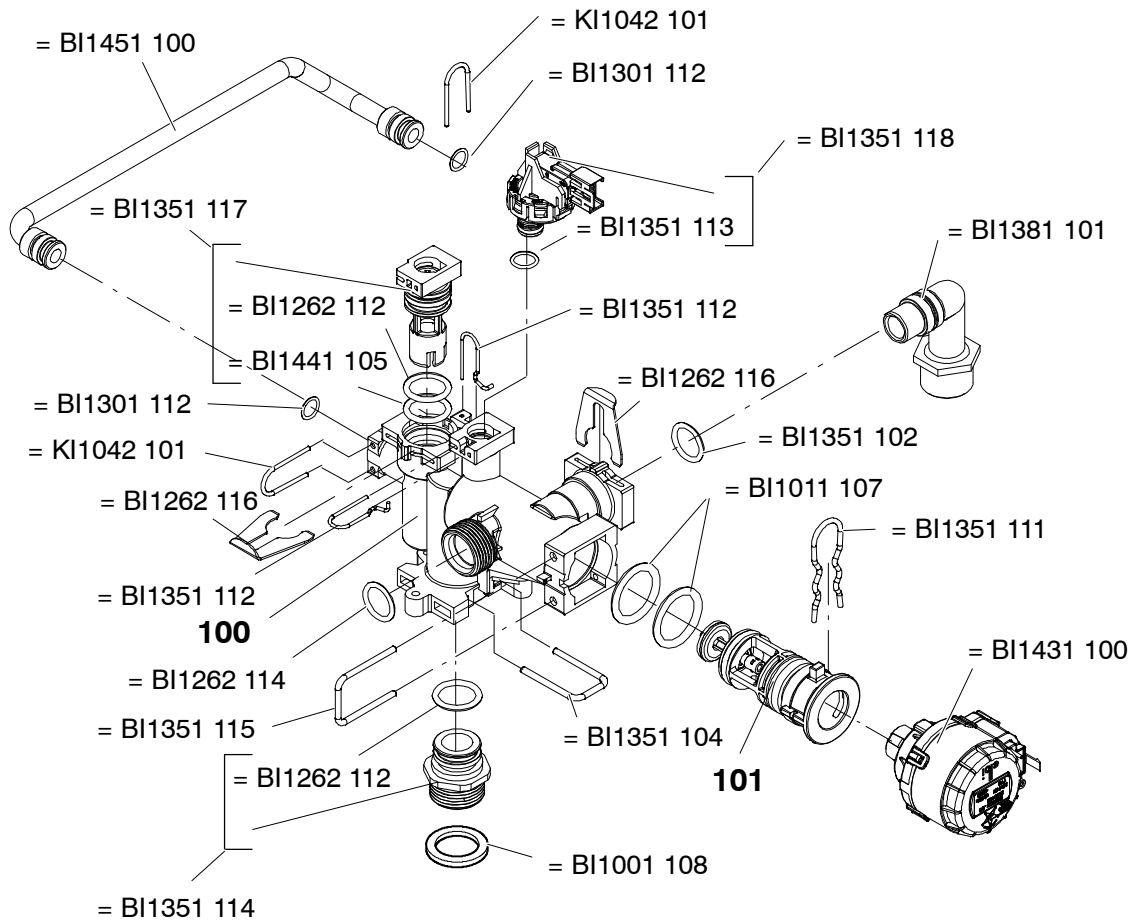




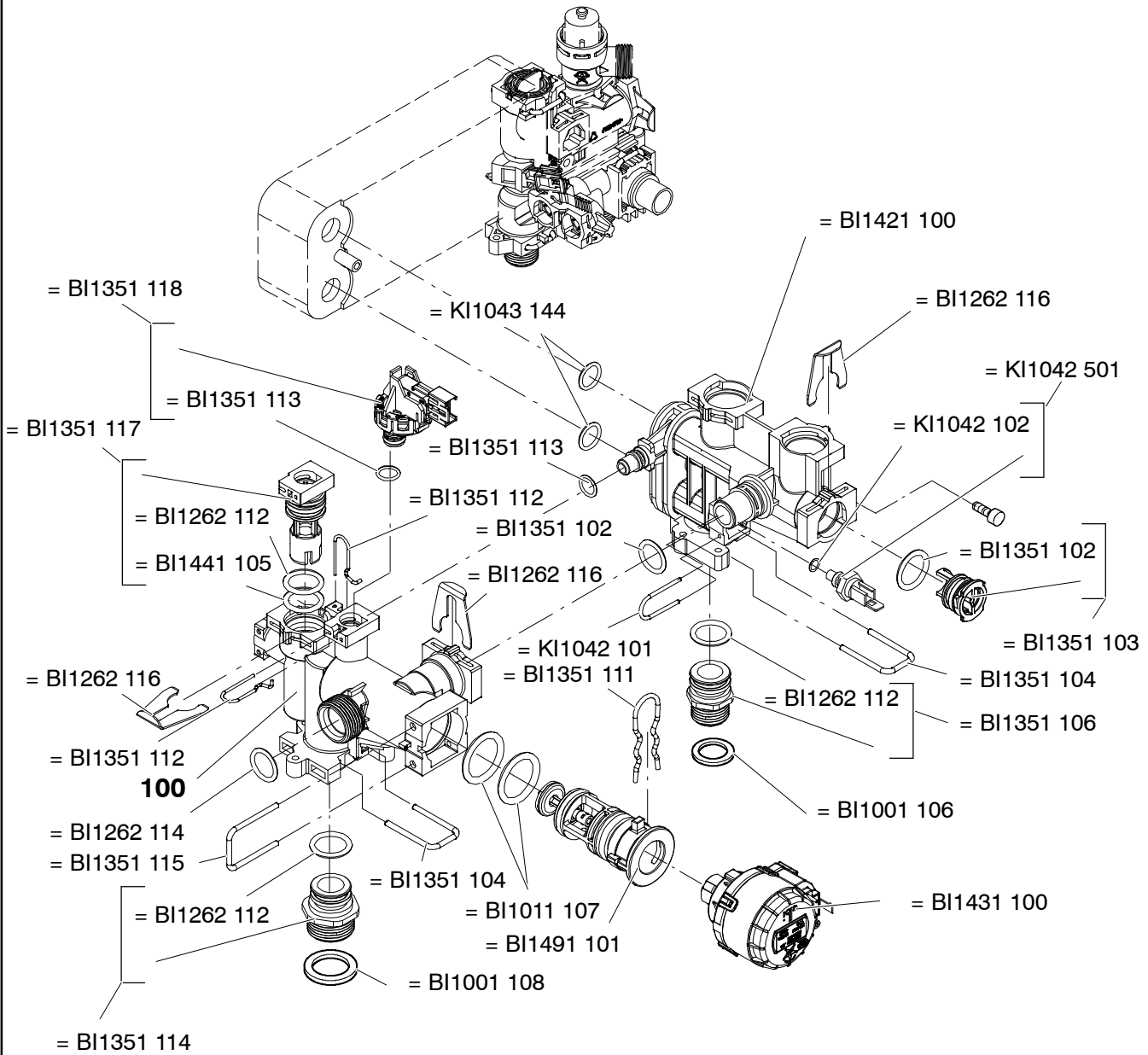
M260V.2025SV

M260V.3035SV



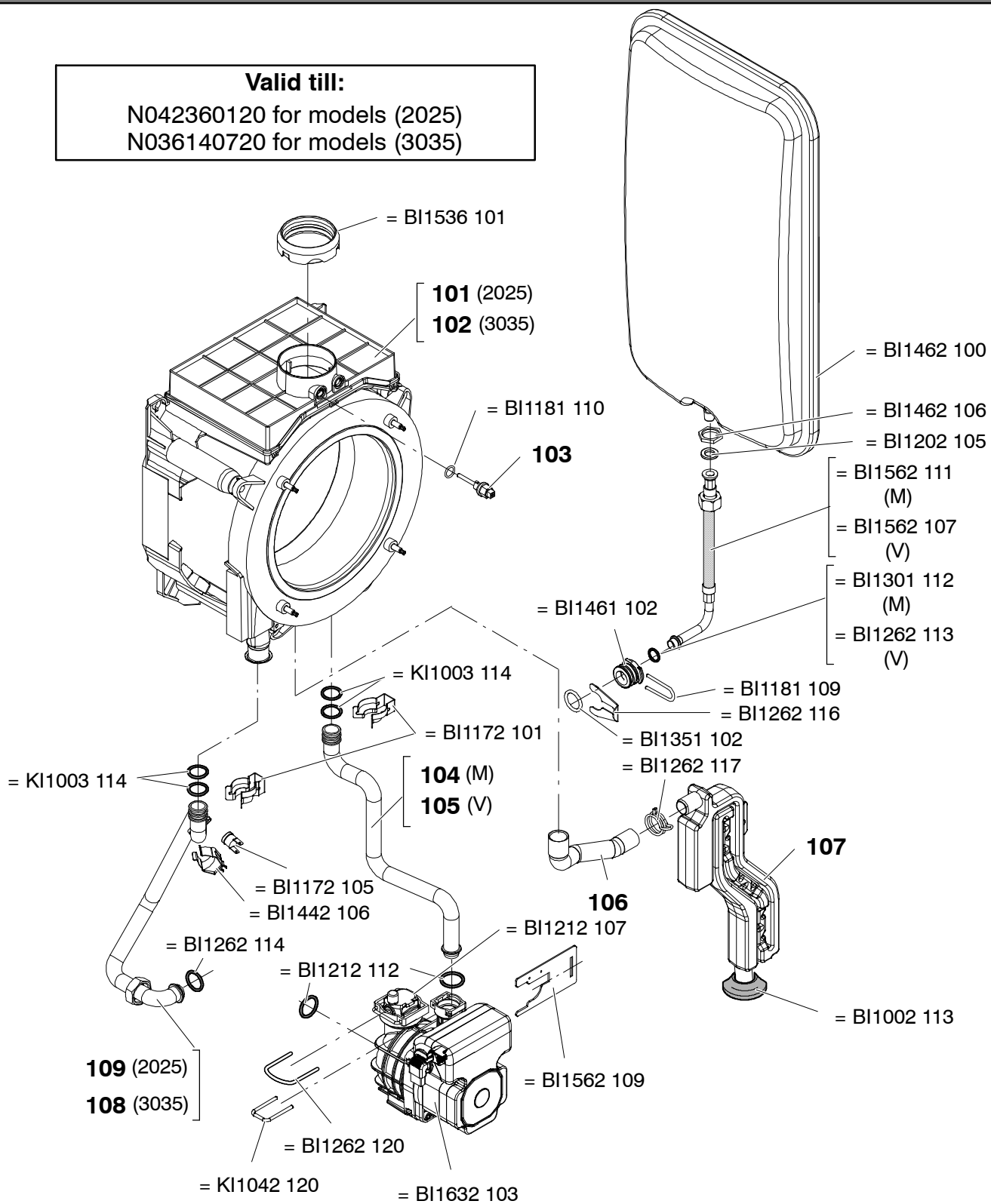


	M260V.2025SV			
	M260V.3035SV			



M260V.2025SM				
M260V.3035SM				

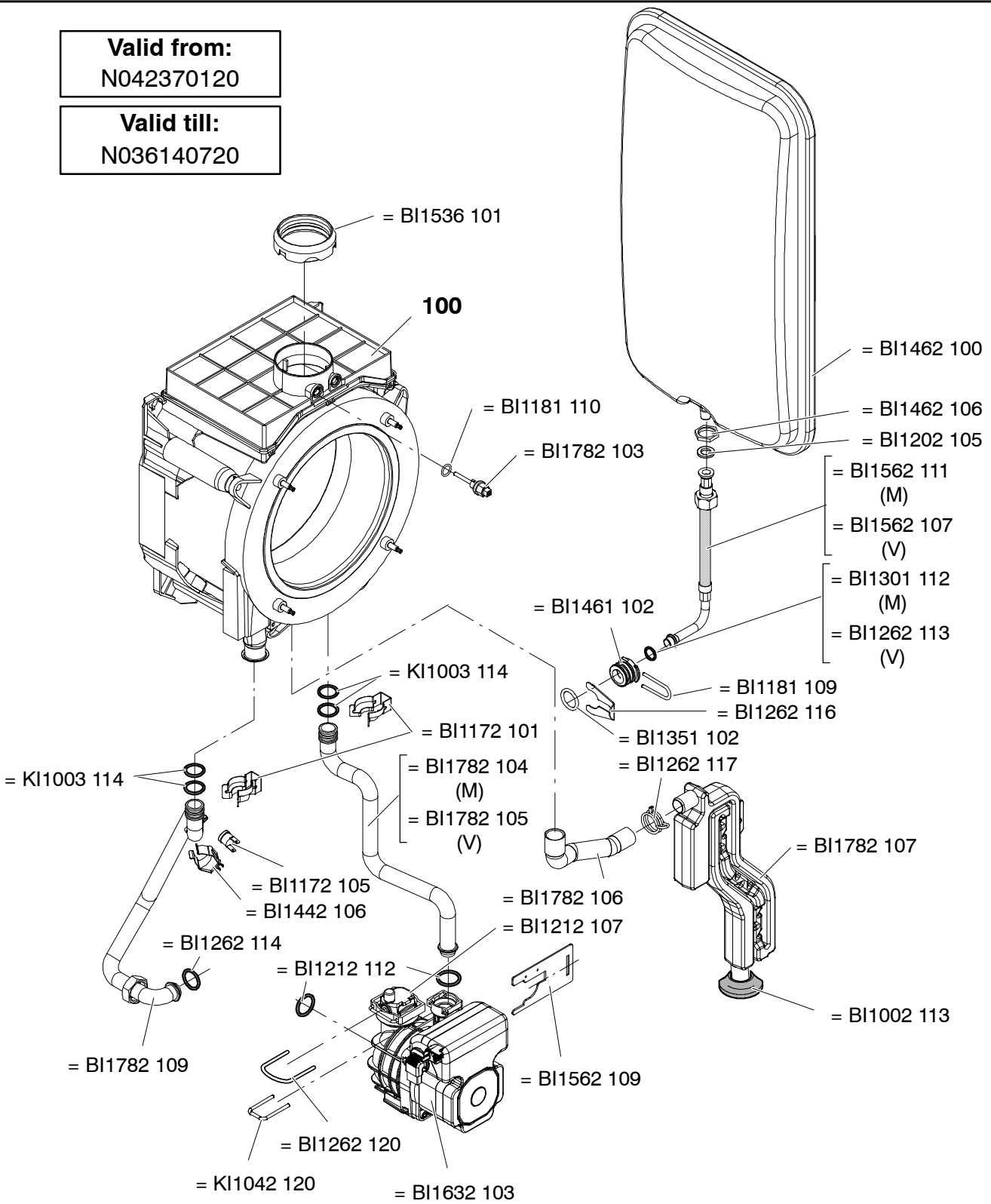
Valid till:
 N042360120 for models (2025)
 N036140720 for models (3035)



M260V.2025SM				
M260V.3035SM	M260V.2025SV			
	M260V.3035SV			

Valid from:
N042370120

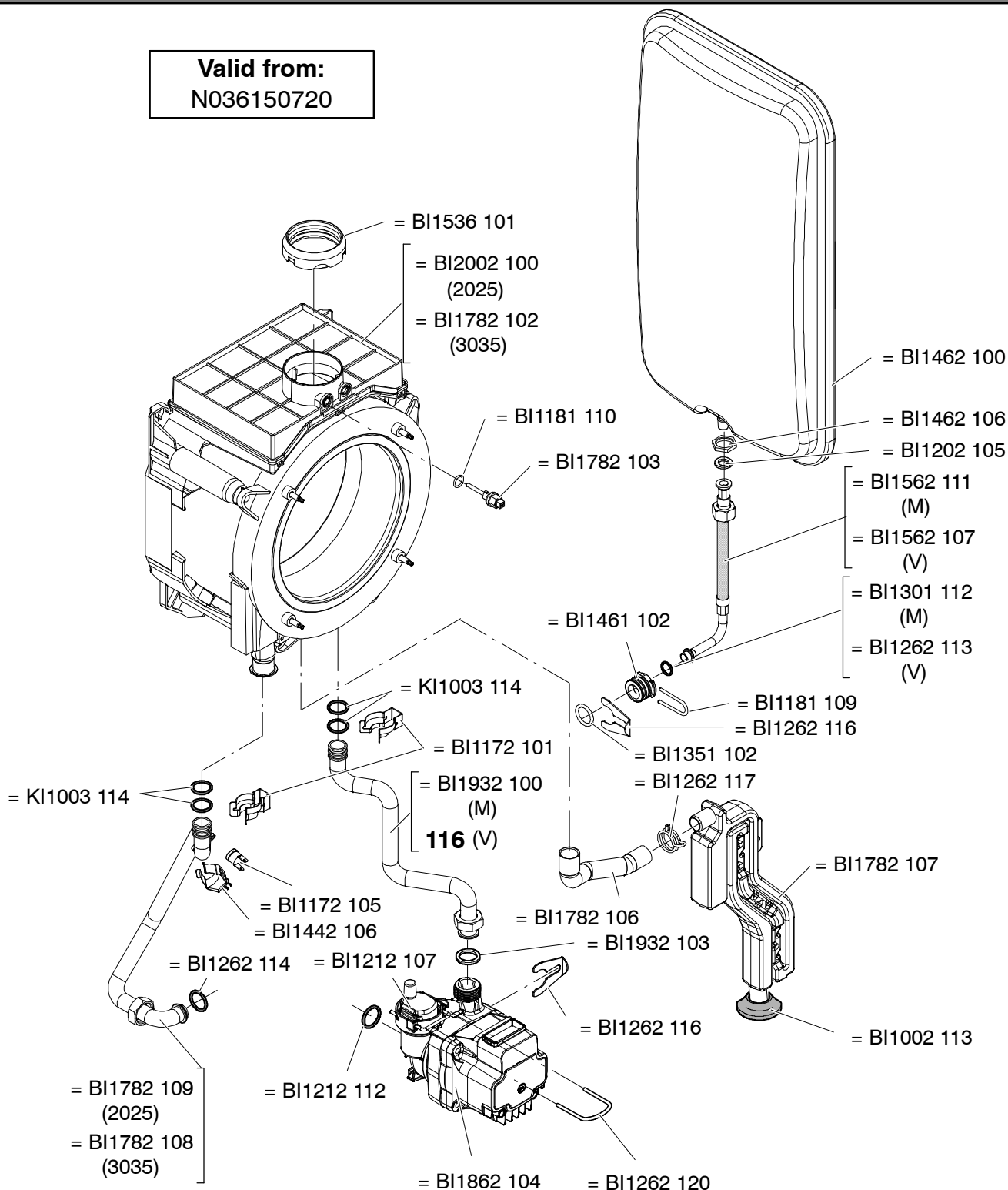
Valid till:
N036140720



M260V.2025SM				
	M260V.2025SV			



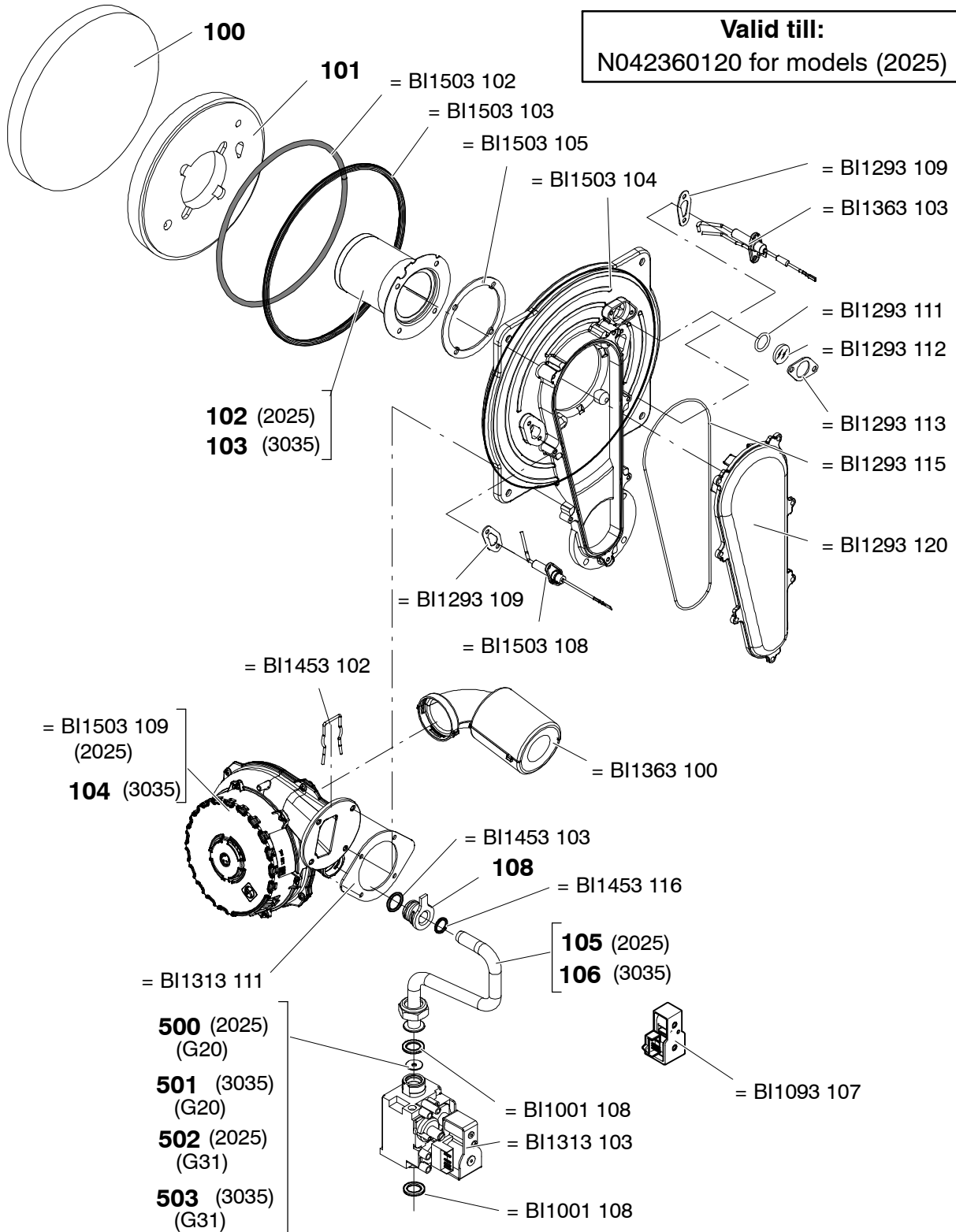
Valid from:
N036150720



M260V.2025SM				
M260V.3035SM	M260V.2025SV			
	M260V.3035SV			



Valid till:
N042360120 for models (2025)

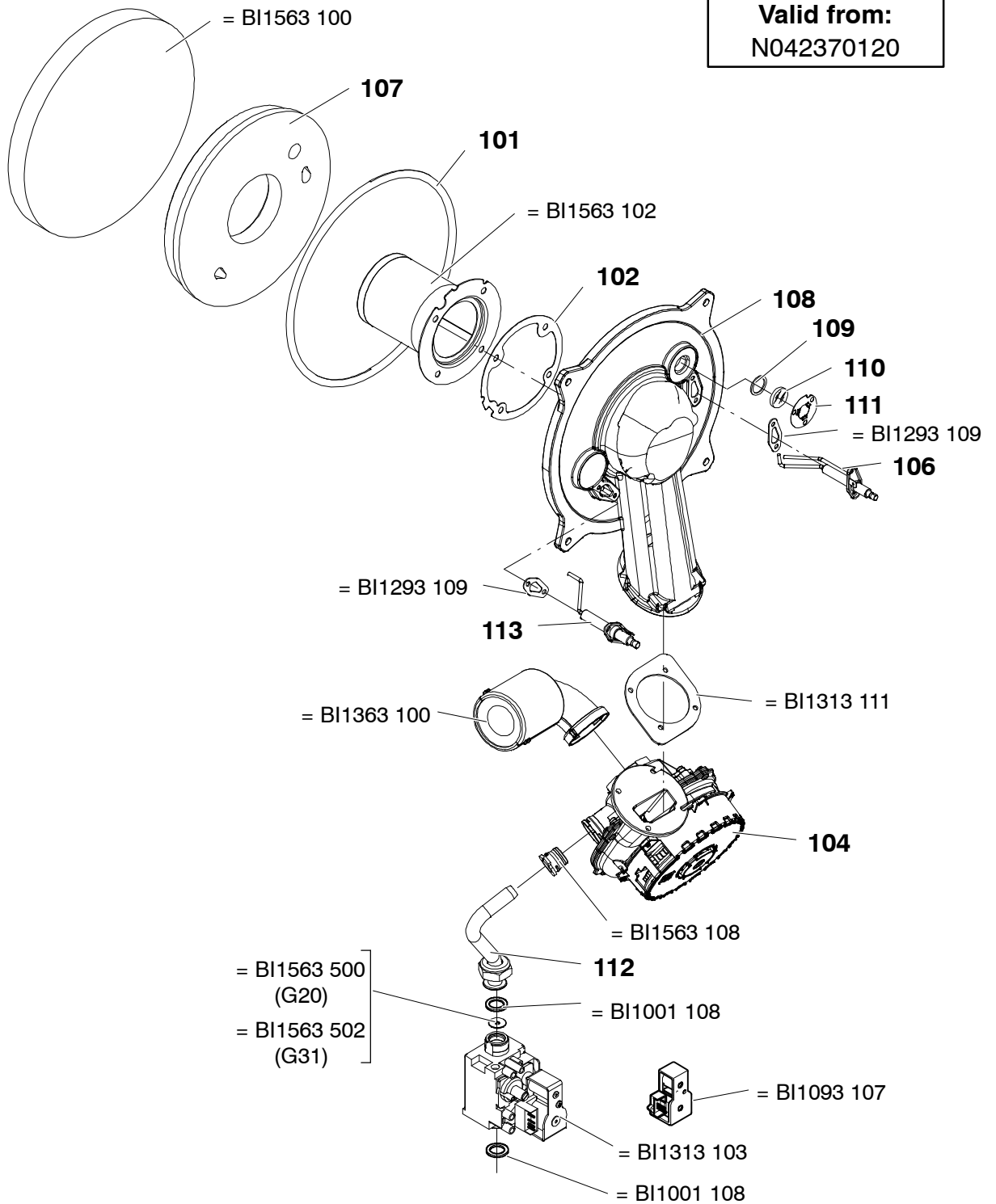


0220

M260V.2025SM				
M260V.3035SM	M260V.2025SV			
	M260V.3035SV			

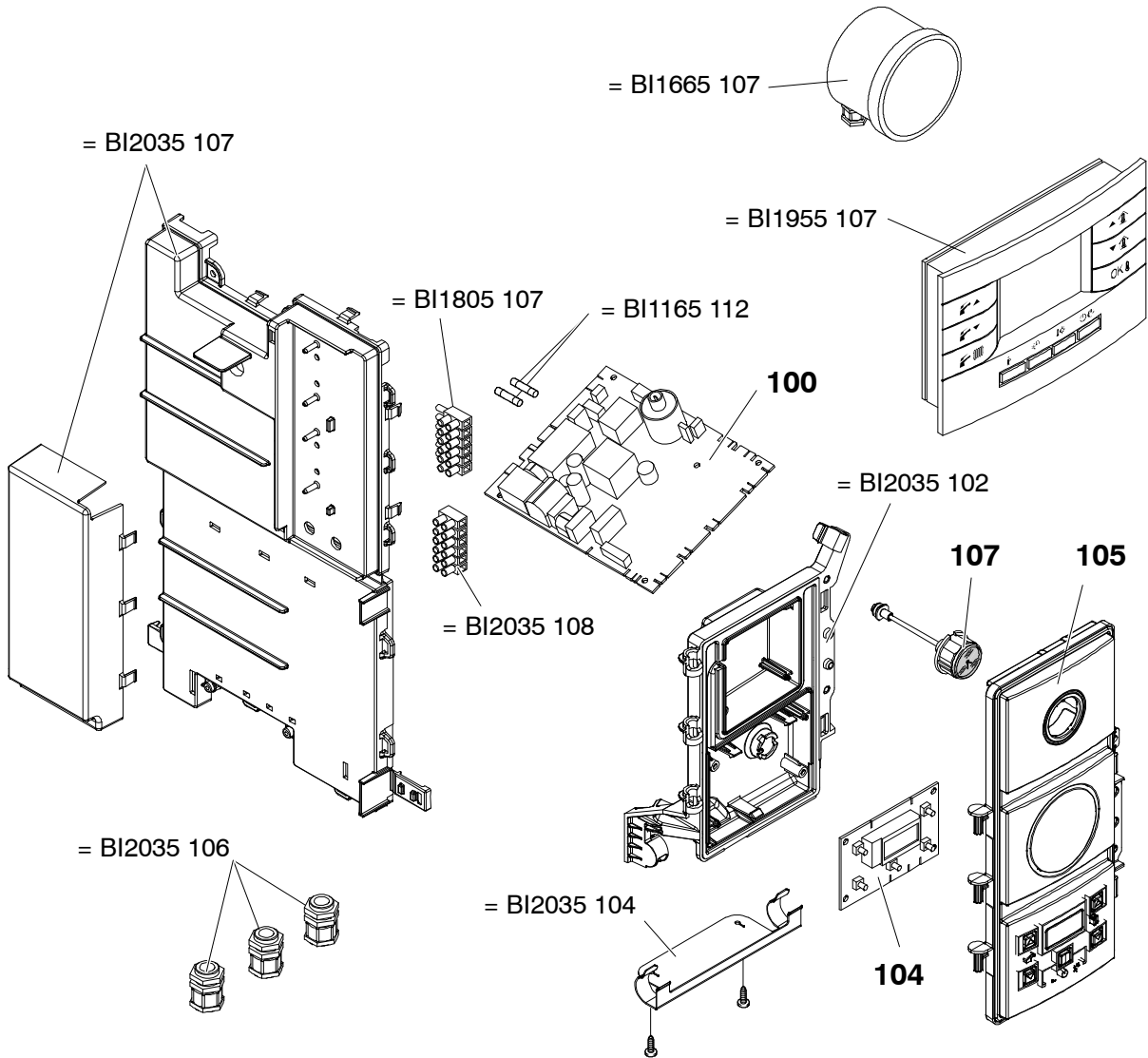


Valid from:
N042370120



M260V.2025SM				
	M260V.2025SV			

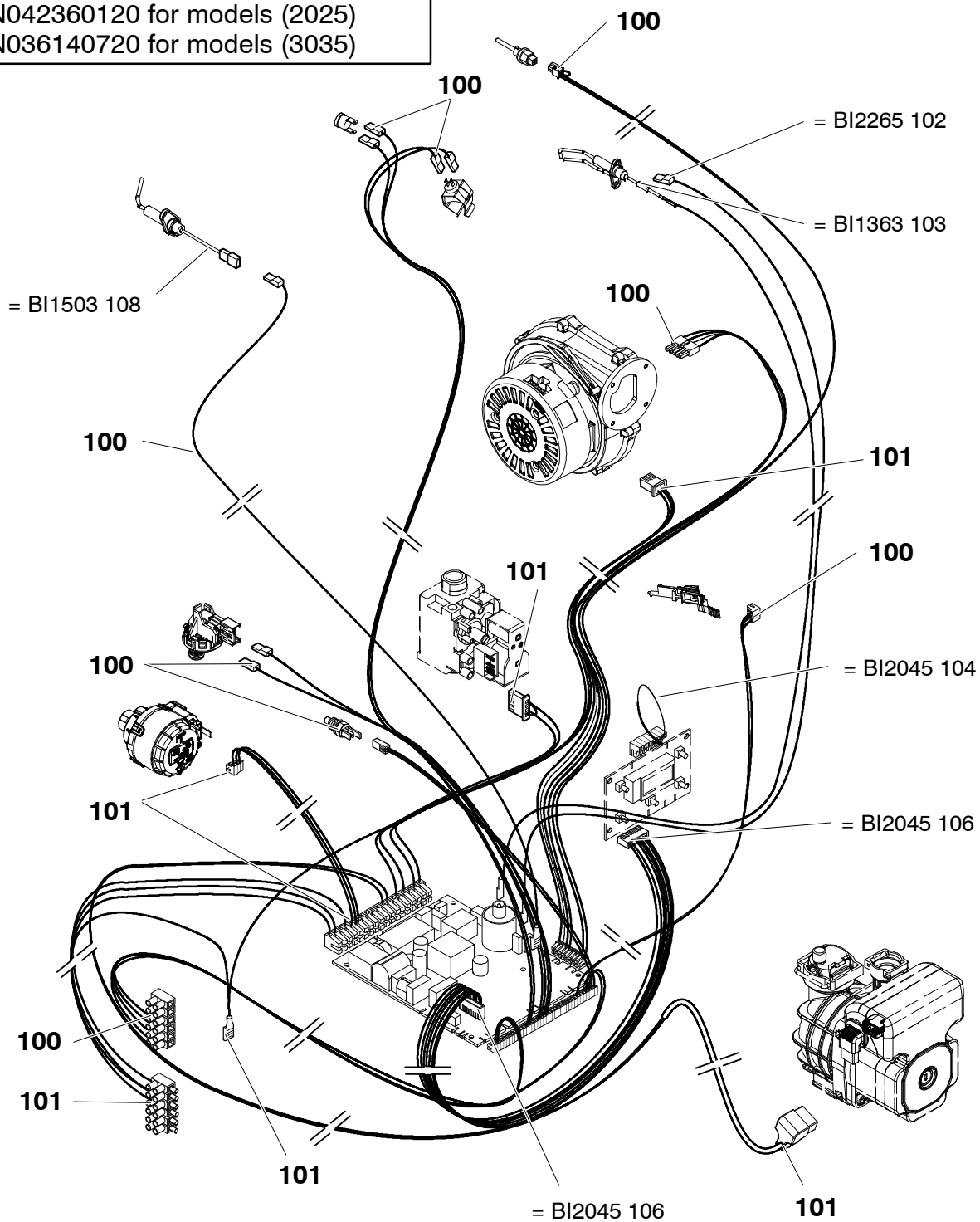




M260V.2025SM				
M260V.3035SM	M260V.2025SV			
	M260V.3035SV			

Valid till:

N042360120 for models (2025)
N036140720 for models (3035)

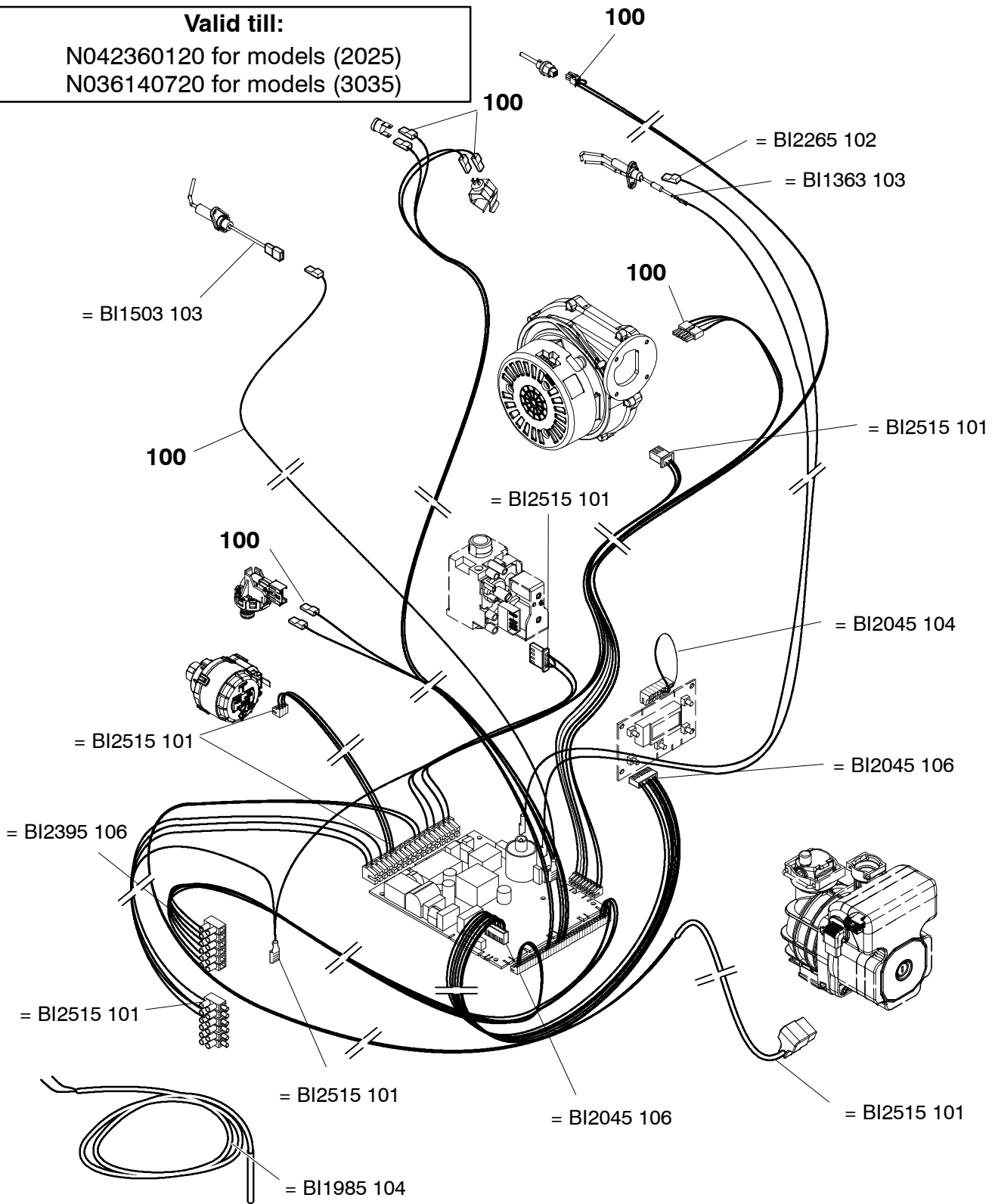


M260V.2025SM					
M260V.3035SM					



Valid till:

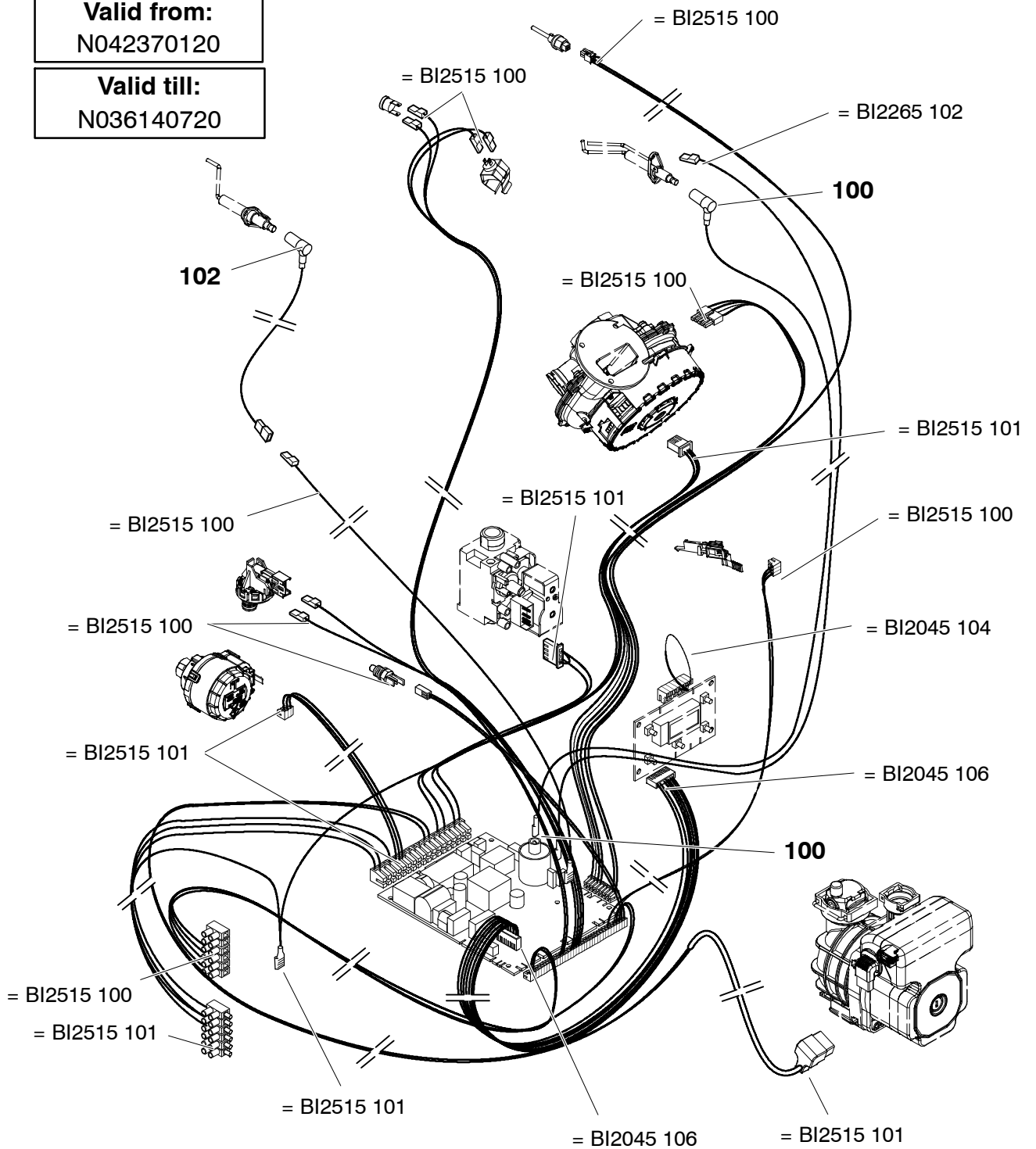
N042360120 for models (2025)
 N036140720 for models (3035)



	M260V.2025SV			
	M260V.3035SV			

Valid from:
N042370120

Valid till:
N036140720

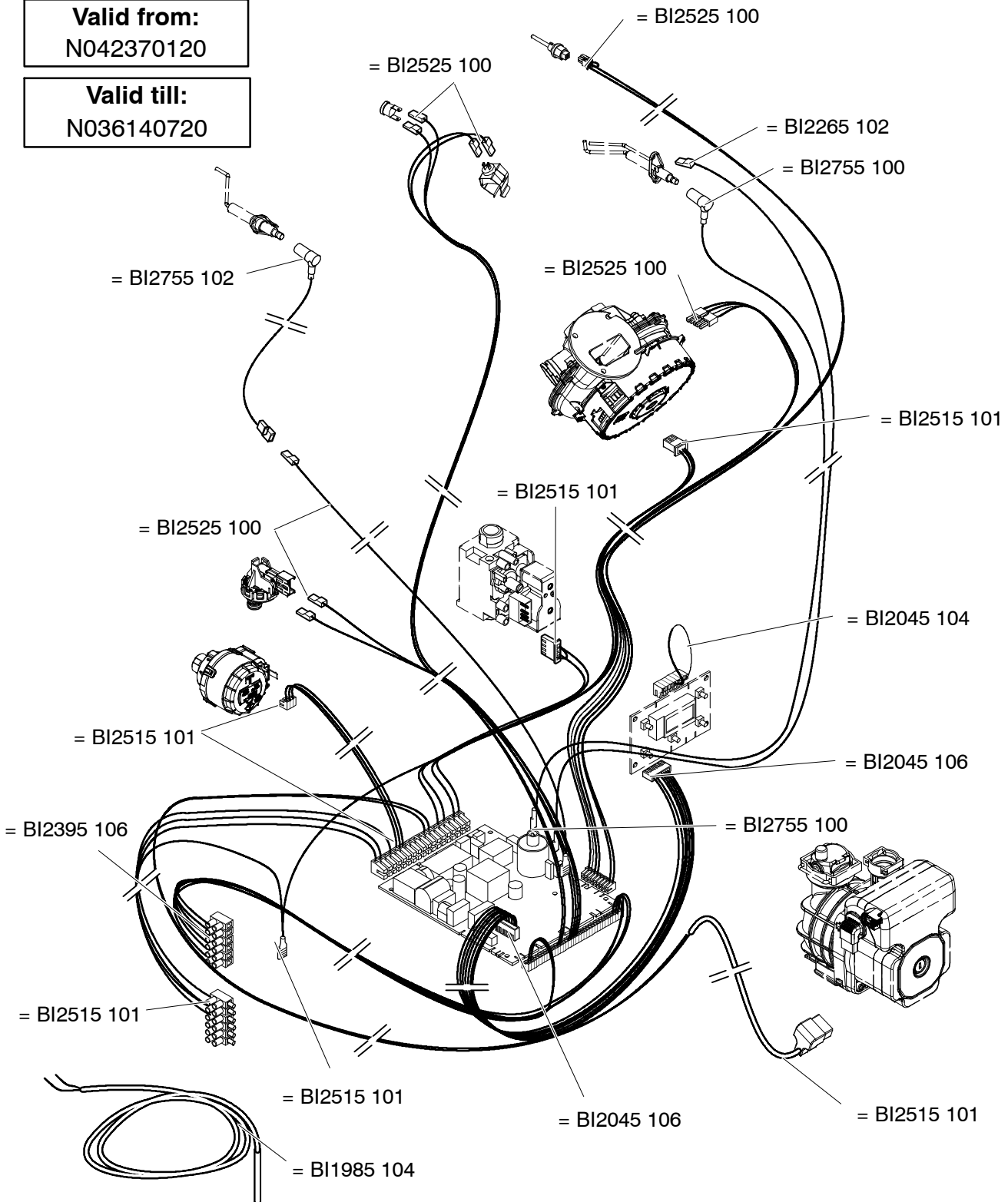


M260V.2025SM				



Valid from:
N042370120

Valid till:
N036140720

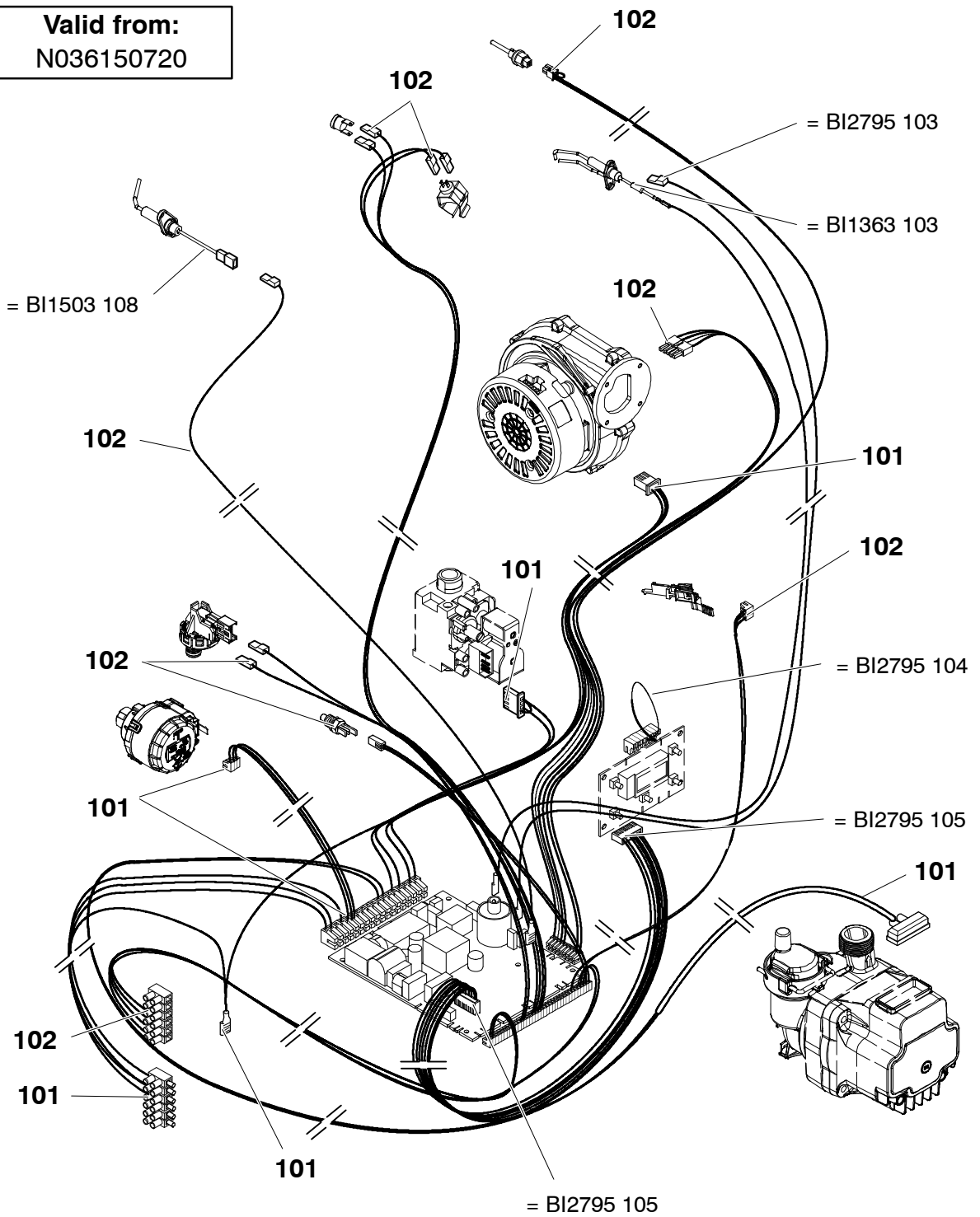


1020

M260V.2025SV

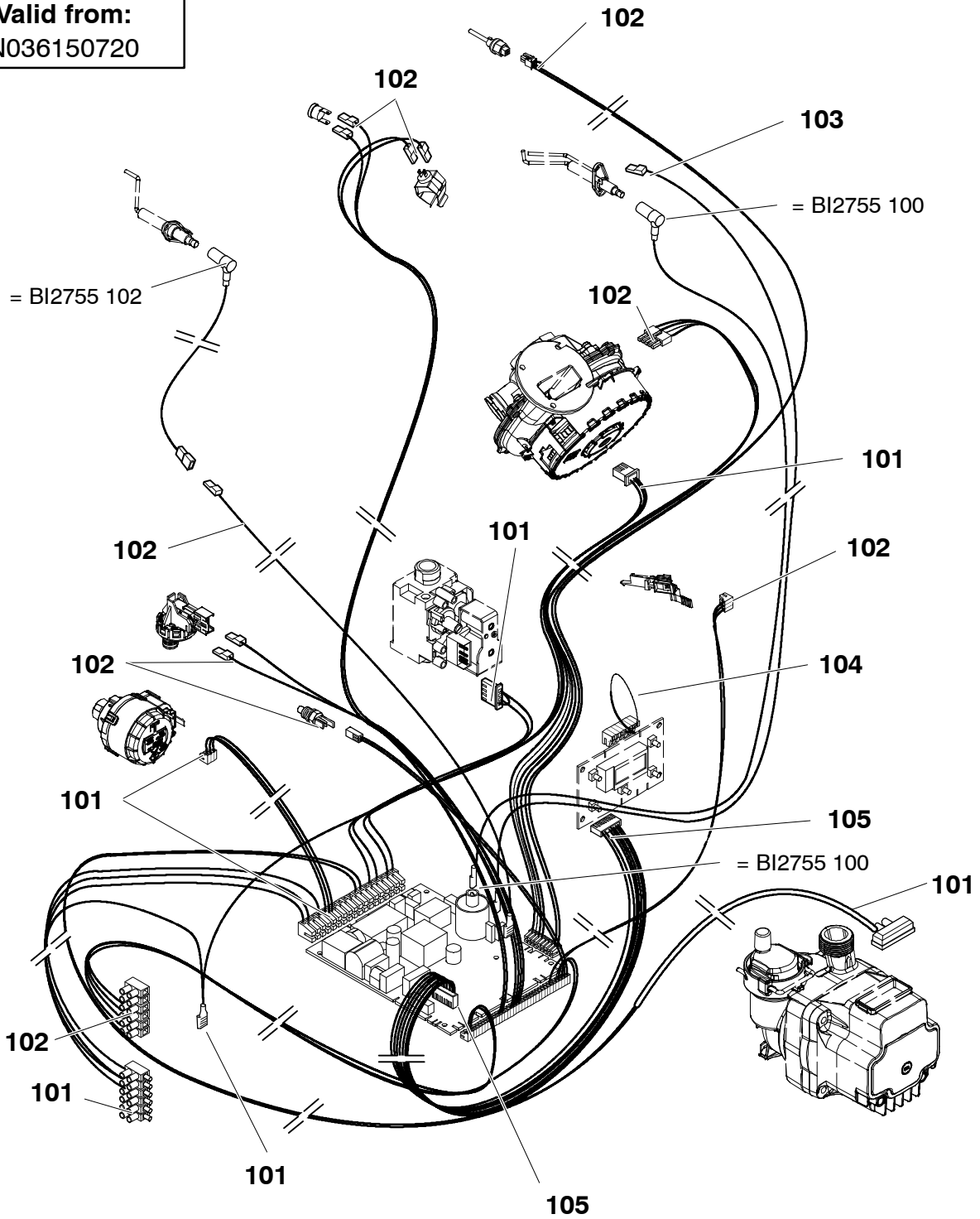


Valid from:
N036150720



M260V.3035SM				

Valid from:
N036150720

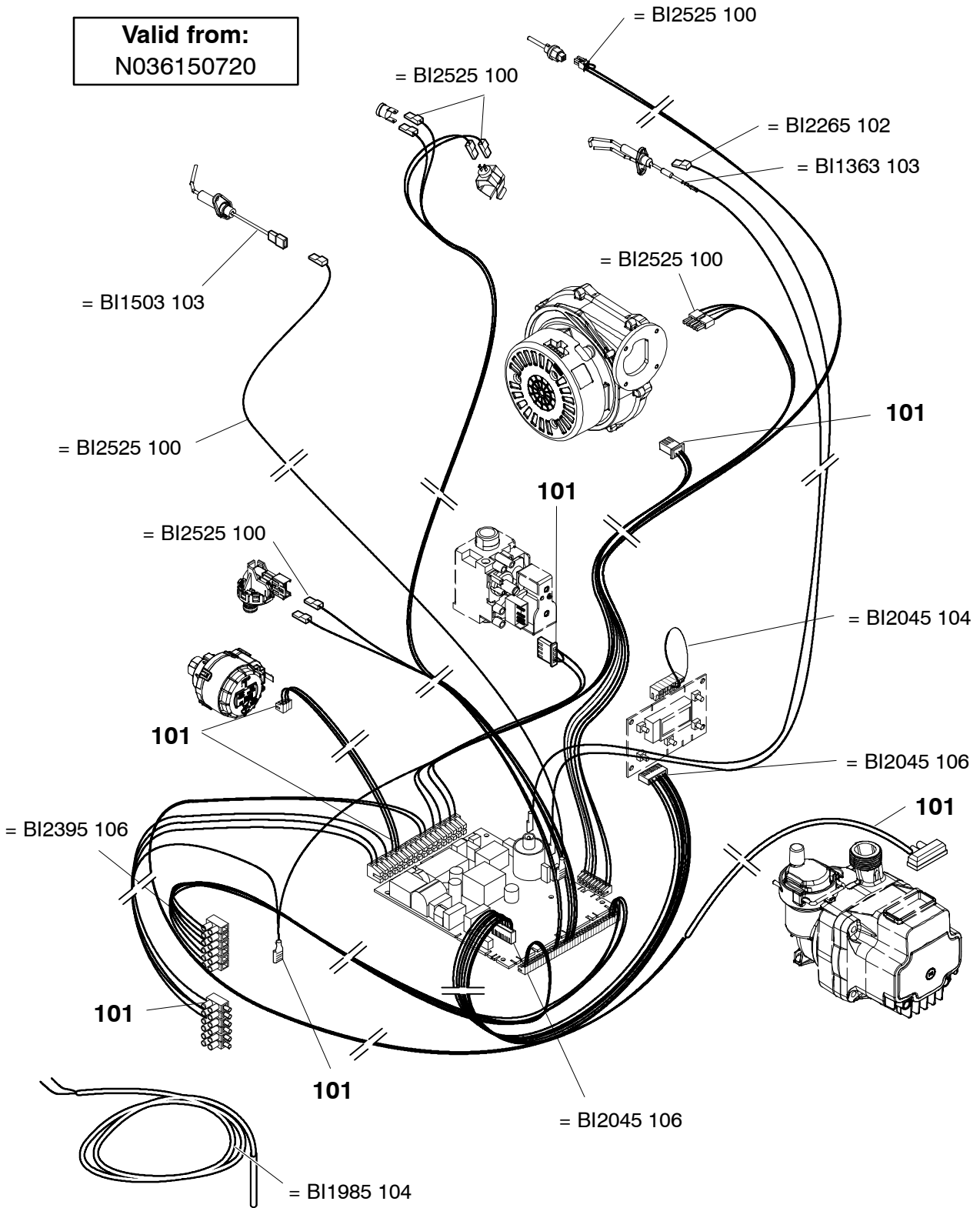


0421

M260V.2025SM

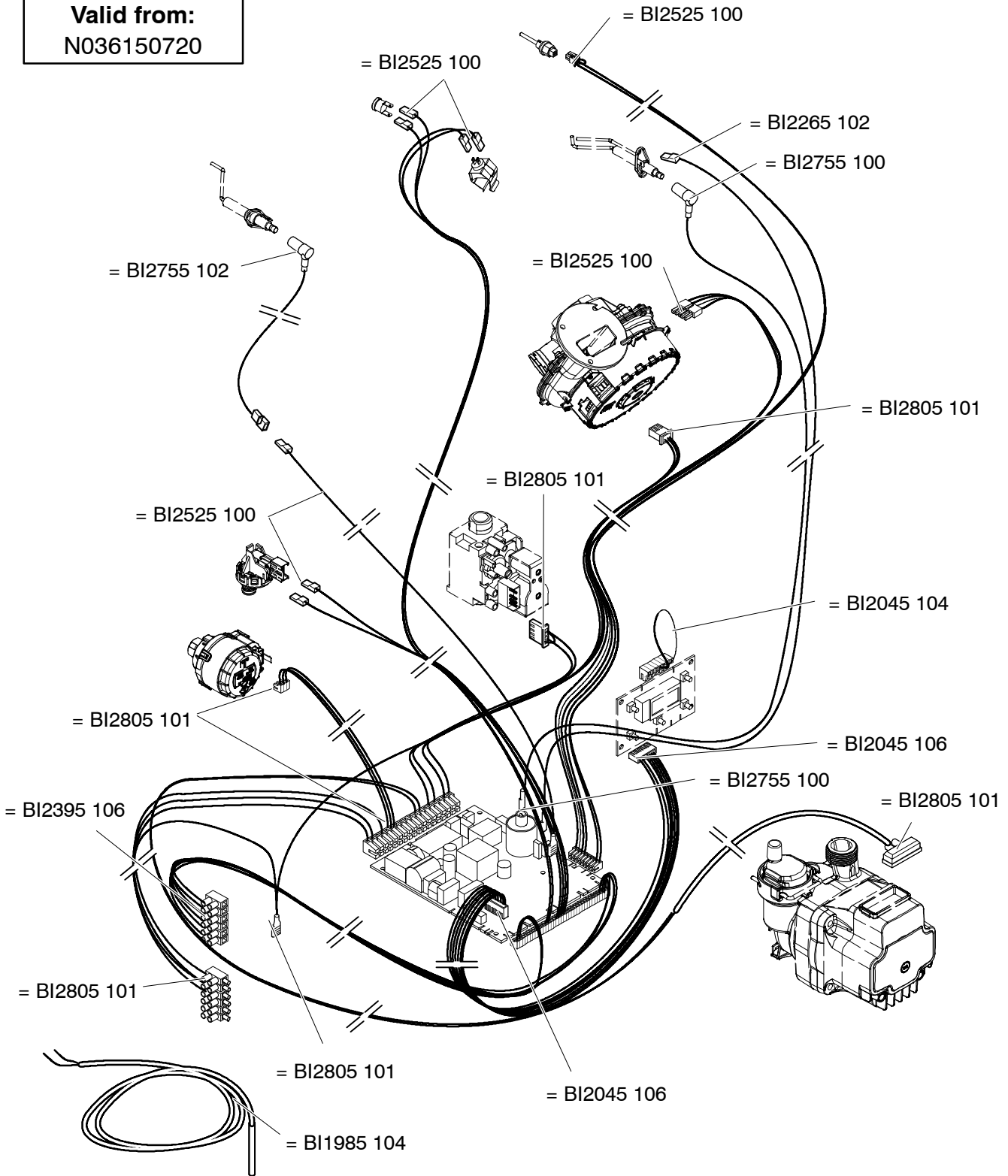


Valid from:
N036150720

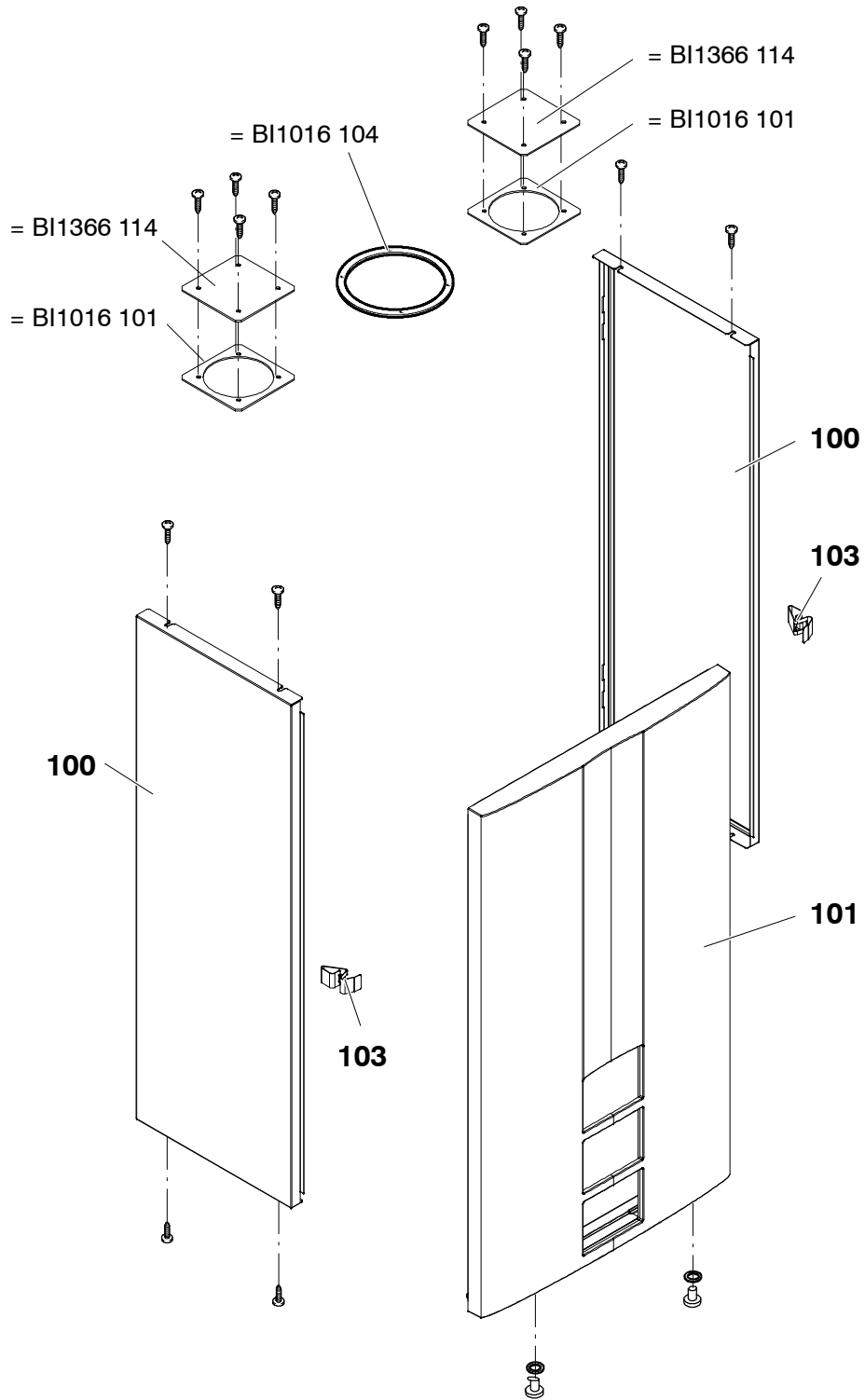


	M260V.3035SV			

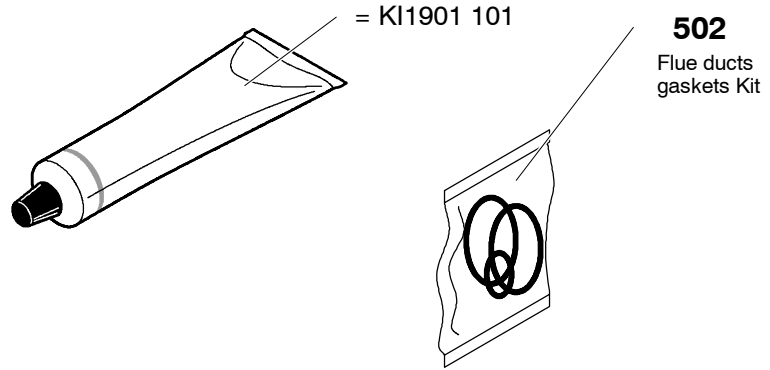
Valid from:
N036150720



	M260V.2025SV				



M260V.2025SM				
M260V.3035SM	M260V.2025SV			
	M260V.3035SV			



BI1911 800 O-ring packing set			
<i>Part</i>	<i>Pos.</i>	<i>N.</i>	<i>T. Size</i>
BI1001	115	10	12,42 x 1,78
KI1043	144	10	18,64 x 3,53
BI1001	503	10	
KI1043	114	10	17,04x3,53
KI1001	105	10	17,13x2,62
BI1475	119	10	7x2
BI1212	112	10	17,04x4,00

BI1901 802 Flat packing set			
<i>Part</i>	<i>Pos.</i>	<i>N.</i>	<i>T. Size</i>
BI1001	107	10	P 1/4"
BI1001	109	10	P 3/8"
BI1202	105	10	P 3/8"
BI1001	106	10	P 1/2"
BI1001	108	10	P 3/4"
BI1001	105	10	P 1"

M260V.2025SM				
M260V.3035SM	M260V.2025SV			
	M260V.3035SV			